

Appendix E. Water Standards

This page is intentionally left blank.

Table of Contents

DEFINITIONS	1
PREFACE	3
STANDARDS / REQUIREMENTS	4
A. Applicability.....	4
B. Document Coordination and Amendments	4
C. Developer Responsibility	4
D. Deviation from Standards	4
E. Errors and Omissions	5
F. Drawing Standards	5
G. Permits	6
H. Inspection and Tests	7
I. Guarantee by Manufacture	7
J. Warranty	7
K. Security.....	8
L. Determination of “As Equal”.....	8
M. Easements.....	8
N. Defective Work and Corrective Action	9
DESIGN	10
A. Design Standards	10
B. Materials	11
1. General.....	11
2. Ductile Iron Pipe	11
3. Brass Pipe and Fittings.....	11
4. Gate Valves	11
5. Butterfly Valves.....	12
6. Fire Hydrants	12
7. Valve Boxes.....	12
8. Service Saddle	12
9. Copper Service Pipe.....	12
10. Plastic Service Pipe.....	12
11. Air and Vacuum Release Valves	12
12. Hydrant Guard Posts	12
13. Valve Marker Posts	12
14. Concrete Blocking	12

15.	Bolts in Piping.....	13
16.	Flange Gaskets	13
17.	Foundation Gravel	13
18.	Bedding Concrete.....	13
19.	Bedding Material.....	13
20.	Imported Backfill Material	13
21.	Asphalt Concrete	13
22.	Crushed Surfacing.....	13
23.	Pressure Reducing Valve (PRV) Station	13
24.	Vault Installation	13
CONSTRUCTION		15
A.	General.....	15
B.	Underground Utilities	15
C.	Site Maintenance.....	16
D.	Alignment.....	17
E.	Trench Excavation.....	17
F.	Sheeting and Shoring.....	18
G.	Pipe Laying.....	18
H.	Bedding, Backfill and Compaction	18
I.	Tunneling.....	19
J.	Highway Crossings	19
K.	Fire Hydrant Installation.....	19
L.	Blow-Off Assemblies	20
M.	Valve Installations.....	20
N.	Concrete Blocking	20
O.	Air and Vacuum Release Valve Installation	20
P.	Hydrostatic Tests.....	20
Q.	Sterilization of Water Mains	21
R.	Service Connections.....	22
S.	Connections to Existing Pipe Lines	22
T.	Painting.....	23
Appendix A Record Drawing Requirements And Drafting Standards.....		
Appendix B Approved Materials List		
Appendix C Standard Details - General		
Appendix D Standard Details – Water		

DEFINITIONS

Acceptance of Improvement	Adoption of a resolution by the City of Issaquah City Council, accepting the improvements into city maintenance or written acceptance by the City of Issaquah City Engineer where authorized by City Council.
City	City of Issaquah, a municipal corporation, or the Director of Public Works Engineering and his authorized representatives.
City Engineer	Deputy Director of Public Works Engineering or City of Issaquah Engineer having authorities specified in State Law or City Ordinances or his designated representatives.
Contractor	The person, partnership, firm or corporation contracting to do the work under these Documents. The term shall also include the Contractor's agents, employees and subcontractors.
Developer	The owner and/or other owners of property to be benefited by the proposed extension, including the Developer's agents. Any person, firm, partnership, association, joint venture, or corporation of any other entity responsible for a given project.
Development	The uses to which the land that is the subject of a discretionary action by the City of Issaquah shall be placed, the buildings to be constructed and all alterations of the land and construction incident thereof.
Engineer	The Consulting Engineer, or Staff Engineer and the Engineer's representatives.
Improvements	Public and private land; grading, street work, curbs, gutters, driveway, storm drain facilities, water mains, sanitary sewers and facilities, public utilities including existing overhead utilities required to be converted to underground, landscaping and fences to be installed on land to be used for public right of way, private streets and easements, and any other improvements as defined by City of Issaquah Municipal Code
Plans	All drawings, lists, notes and instructions including reproductions thereof, for the work to be done as an extension to the City system, prepared or approved by the City Engineers.
Professional-Engineer of Work/Record	Professionals in the technical fields of Civil Engineering, Electrical Engineering, Geotechnical Engineering, Engineering Geology, Landscape Architecture, Structural Engineering and Surveying currently licensed or registered in the State of Washington and qualified by both experience and educational background in the specific technical areas as warranted by the specific needs of the proposed development project.
Public Works	Director of Public Works Engineering or his designated

Director	representative.
Otherwise Specified or As Specified	The directions contained in the Plans, Special Provisions, if any, and otherwise as given by the City incident to the performance of the work other than in these General Specifications.
Work	The labor, materials, superintendence, equipment, transportation, supplies and other facilities necessary to convenient to the completion of the proposed extension described in the application.

PREFACE

The City of Issaquah, as a municipal corporation, has a responsibility to the public to ensure utilities laid on public streets or easements are constructed in accordance with currently accepted standards for public work. The requirements imposed upon Contractors or Developers by these regulations are not arbitrary, but are intended by the City as incorporating minimum standards which are prerequisite to acceptance of the work by the City as a part of the utility systems. Privately constructed extensions will not be permitted thereto unless the work is performed in accordance with these regulations.

This document provides standard guidance for design and construction of municipal utilities within the City of Issaquah. These Standards are founded from City policy, Codes, and standards of industry practice for design and construction.

The City of Issaquah Comprehensive Plan and utility (Water or Sewer) System Plan provides policy guidance for the utility network regarding the provisions of level of service. City policies and standards provide a consistent framework for the planning, design, construction, maintenance, operation, and service for the City's utilities and infrastructure. The City manages its utilities and infrastructure in accordance with established federal and state regulations.

These Standards include all items in the Table of Contents, including the Preface, Definitions, Standards/Requirements, Design, Construction and Appendix sections. These Standards do not include design of special facilities, such as pump stations sewer lift stations, roundabouts or reservoirs. These special facilities require unique design requirements and will be subject to individual review by the City.

STANDARDS / REQUIREMENTS

A. Applicability

These Standards shall govern all new construction and upgrading facilities that connect to or become part of the City's system, both in the right-of-way and on private property, even if not owned or maintained by the City. Although these Standards are intended to apply to physical development for City infrastructure, the Standards will not apply for all situations. Compliance with these Standards does not relieve the designer of the responsibility to apply conservative and sound professional judgment. These are minimum Standards and are intended to assist, but not substitute for competent work by design professionals. The City may at its sole discretion due to special conditions and/or environmental constraints, require more stringent requirements than would normally be required under these Standards.

B. Document Coordination and Amendments

Except where these Standards provide otherwise:

All engineering, design and construction shall be in accordance with American Association of State Highway and Transportation Officials (AASHTO) Policy on Geometric Design of Highways and Streets, King County Surface Water Design Manual (KCSWM), the Washington State Department of Health (DOH) and Department of Ecology (DOE), American Water Works Association (AWWA), and Washington State Department of Transportation (WSDOT) Standard Specifications for Road, Bridge, and Municipal Construction, Manual of Uniform Traffic Control Devices (MUTCD), Issaquah Municipal Code, City of Issaquah's Comprehensive Plan, and the City of Issaquah's Water System Plan and Sewer System Plan.

When reference is made to any specifications, it shall be the latest revision at the time of construction, except as noted on the plans or herein.

C. Developer Responsibility

At no cost to the City, the developer is responsible for design, preparation of plans, submittal of permit applications, payment of City fees, dedication of right-of-way and easements, construction, surveying, material testing, and construction supervision of all infrastructure improvements. All improvements shall be designed per current City Standards and approved by the City Engineer prior to issuance of any permits for construction. All applications for permits and/or other approvals by the City shall be submitted to the Permit Center for processing.

D. Deviation from Standards

The City Engineer or designee may approve deviations to the Standards herein after consultation and consensus with affected city departments. The decision to grant, deny or modify the proposed deviation shall be documented and be based upon evidence that the request can meet the following criteria:

1. The deviation will achieve the intended result in equivalent or superior design; and
2. The deviation addresses public safety and operation; and
3. The deviation will not adversely affect how well the surrounding nearby public facilities can be maintained; and
4. The deviation will not substantially increase maintenance and/or operation and/or capital replacement costs relative to that which these Standards normally would result in and
5. The deviation is consistent with the land use goals/visions for the area.

Applicants submitting plans for required approvals or permits that do not meet all Standards must note the proposed deviation from these Standard(s) on the face of drawings and highlight and describe the deviation(s) on the appropriate plan sheet(s). The notation on the drawings submitted with the application will be considered as a formal request for the City to grant the deviation. Permits issued based on drawings does not assume approval of any deviations that have not been highlighted. Deviations from the standards that are not highlighted on the drawings and a permit is issued based upon those drawings constitutes grounds for revocation of permit(s) and/or withdrawal of any approvals and/or stoppage of any or all of the permitted work. Upon review of the plans, the City may request additional information regarding the request if needed to make a decision. These requests may include but are not limited to engineering calculations, drawings showing aesthetic appearances, additional information on nearby facilities, further analyses regarding public safety and operations of the utility(s), and an explanation of why such a deviation is being requested.

A deviation request for a proposed project cannot be considered until a complete application for a required permit/approval has been submitted.

Any appeal of the decision to grant or deny a deviation shall be reviewed by the Public Works Engineering Director.

E. Errors and Omissions

At the discretion of the City Engineer, any significant errors or omissions in the approved plans or information used as a basis for such approvals will constitute grounds for withdrawal of any approvals and/or stoppage of any or all of the permitted work. It shall be the responsibility of the Developer to show cause why such work should continue and make such changes in plans that may be required by the City before the plans are re-approved.

F. Drawing Standards

Water, sanitary sewer, street and storm sewer designs shall be on separate plan sheets, although alignments of all utilities shall be shown on each utility plan. The City may request profile drawings to show relationship to other underground utilities and/or where the City utility crosses railroad tracks, streets, rivers and drainage ditches and/or any other places where it would clarify construction. Plan sets may be combined for small projects if improvements are clear and legible (contact City engineer for guidance). Designs for water and sewer can be combined on the same plan sheets if plan scale is 1"=10', 1"=20', or 1"=30'. The drawing should be easy to read, with all lines and letters to provide good contrast with the paper. Architectural scales for utility drawings will not be accepted.

All plans shall be on a reproducible paper bond sheet 24" X 36", including title block. Project name and site address shall be included in the title block. When more than one sheet is required to cover all of the construction area, an overall drawing will be required. Preliminary plans can be on regular print paper. On plans with more than one sheet, stationing shall proceed from left to right or from bottom to top.

The plan drawing shall show clearly the relationship of the proposed utility to other existing and proposed underground utilities as well as its relationship to street paving, curb, gutters and sidewalks. All utility appurtenances (i.e.: valves, fire hydrants, fittings/bends, manholes, catch basins, street lights, traffic control devices, etc.) shall be called out and fully located by stationing along centerline of street, or base line of easements, etc.

North Arrow shall be included on all plan view drawings. Where possible, the north arrow shall face up and/or to the right hand side of the plan sheet.

Datum shall show both horizontal (NAD-83/91) and vertical (NAVD 88) control points.

Drafting Standards/Symbols shall conform to Washington State APWA Chapter CAD Standards. Layering shall comply with City requirements (see Appendix A). Lettering shall be done with "Leroy-style" font (AutoCAD "simplex" font).

Upon approval for construction, final plan shall be provided in both hard copy and digital format for record drawings and permanent record. The digital format shall be AutoCAD ".dwg" file, latest version, submitted on CD-ROM. The electronic file shall include all plans, profiles, notes, and details.

Shop Drawings. Shall be on standard size reproducible sheet and may be at any scale which will adequately show the detail necessary for fabrication or construction of the piping, equipment, machinery, etc.

Record Drawings (As-Built), shall meet all the requirements of the Plan Drawing. Final approved record drawings shall also be submitted in mylar form. Utilities outside of public right-of-ways shall be located within easements. Easements and recording numbers shall be shown on the record drawings.

G. Permits

In accordance with the City of Issaquah Municipal Code, permits are required to be obtained from the City of Issaquah prior to commencing construction work within the City. Contact the City Development Services Department for a list of City required permits, approvals, and environmental reviews associated with the requested construction. Permits from other agencies may also be required based on the work being proposed and are the responsibility of the developer to obtain prior to commencing work.

All applications for permits to be issued by the City shall be submitted to the Permit Center for processing.

Specifications, construction drawings, and other required information shall be submitted when approvals or permits are being requested for a project. Construction drawings shall show as a minimum; plan and profile for all existing and proposed improvements, applicable analyses and reports, proposed and existing utilities; and topography. The drawings shall also include right-of-way or easements, improvement alignments, detail drawings of connection points or special features, temporary erosion and sedimentation control, construction disturbance area, tree protection, and critical areas and any other pertinent information necessary for construction. The construction methods and materials for all improvements shall conform to the City Design Standards and all other standard plans and specifications of the City or otherwise adopted by the City. To obtain a complete list of specific submittal requirements please contact the Permit Center.

All drawings, plans, specifications, technical reports, etc., prepared for the purpose of obtaining required permits/approvals shall be stamped and signed by the Professional Engineer registered in the State of Washington responsible for the design. Construction drawings shall be provided in both paper (D) size and CAD format or in another format acceptable to the City Engineer.

At the discretion of the City Engineer, any significant (as deemed by the City) errors or omissions in the approved plans or information used as a basis for such approvals constitute grounds for revocation of permit(s) and/or withdrawal of any approvals and/or stoppage of any or all of the permitted work. It shall be the responsibility of the Developer to show why such work should continue. In order to continue work the Developer must make necessary changes to the approved plans for approval by the City as required to address the issues.

Prior to receiving a Final Certificate of Occupancy and/or acceptance of the work by the City, the applicant shall submit City approved record drawings for all installed improvements.

H. Inspection and Tests

All work may be subject to full-time inspection by the City. The City shall at all times have access to the work wherever it is in preparation or progress, and the Contractor shall provide proper facilities for such access and inspection. The Contractor shall make reasonable tests of the work at the Contractor's expense upon the City's request. Whenever work must be specially tested or inspected for compliance with public regulations, or with the Plans and Specifications, the Contractor shall give the City reasonable notice of the readiness of the work for such test or inspection. The City shall attempt to make inspections within one (1) business day of notification by the Contractor. Work must not be covered up without consent of the City, and if it should be covered without such consent, it must be uncovered for inspection at the Contractor's expense if request by the City.

Inspections shall be performed as follows:

1. Work performed within the public right-of-way or on private property as described in the Standards, whether by or for a private developer, by City forces, or by a City contractor, shall be done to the satisfaction of the City and in accordance with the Standard Specifications, any approved plans and the Standards. Unless otherwise authorized, the City must approve any revisions to construction plans in writing before being implemented.
2. The City shall have authority to enforce the Standards, as well as other referenced or pertinent specifications. The City will appoint project engineers, assistants and inspectors as necessary to inspect the work and they will exercise such authority to ensure the project is constructed in accordance with the standards, standard practices and good workmanship.
3. It is the responsibility of the Developer, Contractor, or their agents to have an approved set of plans, along with any applicable permits on the job site whenever work is being accomplished.
4. It is the responsibility of the Developer, Contractor, or their agents to notify the City at least 5 days in advance of the commencement of any authorized work. A preconstruction conference and/or field review shall be required before the commencement of any work on significant projects as defined by the City.

I. Guarantee by Manufacture

If requested by the City, a written guarantee made by the manufacturer of any materials to be incorporated into the work shall be furnished, guaranteeing to the City that such materials shall conform to the Specifications applying to the work.

J. Warranty

The Contractor is required to provide a warranty to the City for facilities constructed for the City. This warranty will be for a period of not less than one (1) year from the date of final acceptance by the City and will cover material and workmanship defects including but not limited to: asphalt, concrete, valves,

pipng, landscaping and 12 month plant establishment period and settlement of trenches below City roadways regardless of whether the trench contained a City utility or privately owned utility.

K. Security

Performance Security. A security is required per IMC 12.12.100 and 16.26.120 to guarantee the performance of, or corrections to, permitted work. The amount of security shall cover the City's cost to perform the necessary work but shall equal not less than 150% of estimated total construction cost; or if not specified, be at the discretion of the City. When performing work within city right-of-way, the types of securities required include a cash deposit up to the first \$25,000 of required security and the balance may be, but are not limited to, additional cash deposits, assigned savings account letters of credit, loan proceeds and bonds. Securities shall be processed for release by the City upon written final acceptance of the improvements and the plans have been certified "As-Built" record drawings by the Professional Engineer of Work/Record and the Record Drawings approved by the City, all final reports submitted and approved as required and the Warranty Security is posted.

Warranty Security. A security is required during the warranty period to insure adequate funds for the City to perform the necessary warranty work should the developer not do so for improvements against any defective work or labor done or defective materials used in the performance of the improvements throughout the warranty period. The warranty period shall be of one year following completion and acceptance of the improvements unless a longer warranty period is required by the City Engineer. This security shall be not less than 30% of the total construction cost of the public facilities accepted by the City and posted prior to the Performance Security release.

L. Determination of "As Equal"

The City shall be sole judge whether supplies or materials qualify 'as equal' substitutions under the Plans and Specifications. Substitutions are not allowed for items specified as "required" or "sole source".

M. Easements

All easements required shall be obtained by the Developer without cost to the City and shall provide for a permanent easement and construction easement as shown on the Plans. The Developer shall provide the City with supporting data to reify the location of al easements. In the event that legal services are required incident to easements beyond review of the form thereof, the Developer shall pay the costs of such service.

Any required easements shall be obtained (in the name of the City) by Developer at their expense using the City's standard form. A copy of such recorded easement shall be delivered to the City prior to commencement of construction. Prior to acceptance of said improvement, the original easement shall be delivered to the City. The Developer shall provide all necessary easements at his sole cost regardless of changes in the Contract Plans. The City will require the Developer to provide a survey of the record drawing improvement to verify its location in the easement. All easements shall be explicitly called out as to rights and obligations on the final plat.

General Easement requirements for improvements not located in the right-of-way are as follows (evaluated on a case-by-case basis):

Water: Fifteen (15) foot easement over all water lines and appurtenances.

Sanitary Sewer: Fifteen (15) foot easement over all main line sewer lines and appurtenances not located in a multifamily or commercial development, or as otherwise required.

Storm Sewer: Fifteen (15) foot easement over all storm sewer lines and appurtenances not located in a multifamily or commercial development, or as otherwise required.

N. Defective Work and Corrective Action

During construction, work that is found by the City not to comply with the Plans and Specifications shall be remedied so as to comply therewith. Subsequent to completion and within one year after the work has been accepted by City Council, the Developer shall correct or replace any defective work or material discovered by the City. Such correction or replacement shall commence within seven days from the time of receipt of notice from the City and shall be completed promptly.

If not so commenced, or, in emergency, when damage may result from delay, such correction or replacement may be made by the City at the expense of the Developer. The Developer shall reimburse the City, upon demand, for any expense resulting from defects that appear within one year after acceptance of the Developer's work. This includes actual damages, costs of materials and labor expended by the City in making emergency repairs, costs of legal expense, attorney's fees and costs reasonably incurred by the City as a result thereof.

Inspection and project acceptance does not relieve the Developer from the responsibility to provide complete and properly functioning improvements. All corrections required to correct deficiencies shall be borne by the Developer.

DESIGN

A. *Design Standards*

These Design Standards set forth minimum standards for the planning, design, and construction of water facilities. The work shall be done in accordance with the Plans and specifications prepared by the Engineer and approved by the City. These Standards do not include design of special facilities, such as Pump Stations or Reservoirs. These special facilities require unique design requirements and will be subject to individual review by the City. All work and materials shall conform to AWWA standards. As a preliminary guide, the following general standards of construction and materials are set forth:

1. Design shall comply with the Issaquah Municipal Code (IMC), policies and criteria set forth in the City of Issaquah's Water System Plan, and design requirements as defined within these Standards.
2. Pipe shall be Class 52 ductile iron.
3. Fittings must be Ductile Iron (cement lined).
4. Use of restrained joints is preferred as a standard restraint system. Restraint system shall be clearly identified on the plans and record drawings.
5. Pipe runs from main line to standard hydrants less than 50 feet in length must be a minimum of 6 inches. Pipe runs from main line to standard hydrants more than 50 feet in length must be a minimum of 8 inches.
6. The maximum distance between fire hydrants in single-family use district zones shall be 500 feet. The maximum distance between fire hydrants in commercial, industrial, and apartment (including duplex) use district zones shall be 300 feet.
7. All hydrants newly installed in single-family residential areas shall be supplied by not less than 8-inch mains and shall be capable of delivering 1,000 g.p.m. fire flow over and above average maximum demands at the farthest point of the installation.
8. Air and vacuum release valves shall be installed at principal high points in the system.
9. Dead-end lines are not permitted except as required for frontage improvements. when unfeasible due to topography, or inability to gain easements, in which case hydrants may be provided at the end of the main.
10. System improvements required for multi-family/commercial/industrial developments will be considered and defined by the City at the time service is requested. All costs for domestic service, fire protection, storage, pumping facilities and flow rate control of the supply will be borne by the commercial/industrial developer.
11. Work shall be done only by Contractors experienced in laying public water mains.
12. Mains shall be laid only in dedicated streets or in easements which have been granted to the City. A street is normally not considered dedicated until the plat which created it has been filed with the King County Recorder.
13. Valves shall be placed on all branches from feeder mains, at intersections, between mains and hydrants, between mains and reservoirs, and between mains and pumps. No length of pipe greater than 600 feet shall be left without valve control. A valve shall be located at the end of all dead-end lines when a future extension is anticipated by the City Engineer.
14. Valved tees and crosses shall be provided where future extensions are expected by the Engineer.

15. Pressure Reducing Valves- Main line pressure reducing stations, built according to the City Standard Details and approved as to size by the City Engineer, shall be installed where required to maintain a maximum line pressure of 150 psi. Individual pressure-reducing valves are the responsibility of the owner for all services on mains with a pressure of more than 80 psi and shall be located on private property in accordance with the UPC.
16. Placement of surface appurtenances (manhole lids, water valve lids, etc.) in tire track of traffic lanes shall be avoided whenever possible. Meter vaults shall be located outside the pedestrian access route.
17. Backflow prevention devices shall be installed where the possibility of contamination of the water supply system exists and/or as required by the City, and shall meet the requirements of the WAC 246-290-490 "Cross-Connection Control". All backflow prevention assemblies installed shall be on the Washington State Department of Health (DOH) list of approved backflow prevention assemblies, most recent edition at the time of installation, and installed according to the Standard Details.

B. Materials

1. General

All materials and equipment shall be new and undamaged. Where possible, the same manufacturer of each item shall be used throughout the job.

All materials not specifically referenced shall comply with applicable sections of ANSI, ASTM, AWWA or the APWA/WSDOT Standard Specifications.

Approved manufactures and model numbers of various materials are listed in Appendix B, Approved Materials, of these Standards. When specific manufactures or models are listed, no substitutions will be allowed without prior approval by the Engineer.

2. Ductile Iron Pipe

Ductile iron pipe shall conform to AWWA Standard C151, Thickness Class 52 or as indicated on the Drawings. Pipe and fittings shall have cement mortar lining conforming to AWWA C-104. Joints shall be mechanical joint or push-on joint and shall conform to AWWA C-111.

Ductile iron fitting shall conform to AWWA Standard C-110. Mechanical or push-on joints shall conform to AWWA Standard C-111. Flanged joints shall conform to ASA Standard B-16.1, Class 125. All fittings shall be mortar lined.

Polyethylene Pipe encasement for Ductile Iron Pipe shall be used at the direction of the City Engineer and shall conform to AWWA Standard C-105.

3. Brass Pipe and Fittings

Where brass pipe is specified, the pipe shall be standard weight, Schedule 40, ASTM B43. Fittings shall be brass or copper.

4. Gate Valves

Shall conform to AWWA C-515 or C-509, be Iron Body, Brass or Bronze trimmed, resilient seat, double "O" ring seal, non-rising stem, for a minimum of 150 PSI working pressure unless other is specified, with standard two (2) inch operating nut and standard opening rotation shall be counter clockwise. Gate valve 3" and larger shall have flange connections for above ground service, or flange or mechanical joint connection for buried service. (See Standard Details.)

5. Butterfly Valves

Shall conform to AWWA Standard C504-74 or latest revision thereof. Unless otherwise specified, valves shall be Class 150 or greater, shaft seals shall be "O" ring type, standard opening rotation shall be counter clockwise and the operating nut shall be standard 2"

6. Fire Hydrants

Fire hydrants shall have 5-1/4 inch main valve opening (MVO) with brass on brass or brass on stainless steel seating as specified for 36-inch trench, unless otherwise designated; break-away flange at ground line; 6-inch M.J. connection with suitable lugs if tie rods are to be used; "O" ring stem seal; two 2-1/2 inch hose connections National Standard Thread; pumper connection shall be 4 inch with Seattle Standard Thread with Stortz fitting. Operating nut shall be 1-1/4 inch pentagon and shall open counter clockwise. Hydrant shall be so constructed that direction of facing of pumper connection may be rotated to face the roadway. Hydrants shall comply with AWWA C-502. Unless otherwise specified, hydrant shall be of traffic type with break-away flange construction.

7. Valve Boxes

Valve boxes shall be cast or ductile iron, two (2) piece, Rich 940. The top section shall be 18" slip type with 2" "deep skirt" cover. (See Standard Details)

8. Service Saddle

Romac type stainless steel saddle. Single strap for pipe sizes under 12" dia., double strap for 12" and larger pipe sizes. (See applicable Standard Details)

9. Copper Service Pipe

Copper service pipe for underground water service 2" or smaller shall be Type K, soft copper, annealed, seamless, and conforming to the requirements of ASTM B88. (See applicable Standard Details)

10. Plastic Service Pipe

Plastic service pipe shall be manufactured from high molecular weight polyethylene defined by ASTM-2737, NSF Standard 14, and AWWA C901 Pipe shall be iron pipe or copper size (See Standard Details)

11. Air and Vacuum Release Valves

All piping shall be Type K copper brass pipe. Fittings shall be brass. Valves shall be located outside of traffic areas, behind curb or sidewalk. (See Standard Details)

12. Hydrant Guard Posts

Hydrant guard posts shall be reinforced concrete posts, 6" X 6" X 6' long. Treated Douglas Fir, drilled with two -1" holes each way to provide breakaway safety features. (See Standard Details)

13. Valve Marker Posts

Valve marker posts shall be reinforced concrete posts, 4" X 4" on one end and 6" X 6" on the other end, 42" long. Stenciled in 2-in. letters referencing distance to valve in feet and inches. (See Standard Details)

14. Concrete Blocking

One:three:six (1:3:6) mix with six inch (6") maximum slump. (See Standard Details)

15. Bolts in Piping

All bolts shall be of the same type and quality as supplied by the manufacturer of the pipe or fittings and shall conform to WSDOT Standard Spec. 9-30.

16. Flange Gaskets

Ring-type cloth insert rubber gaskets 1/16-inch thick equal to Rainbow or Garlock.

17. Foundation Gravel

Foundation gravel, known as "Ballast", shall be coarse graded gravel or crushed rock that conforms to WSDOT Standard Spec. 9-03.9(1). Bank run passed through a 3-inch screen may be used provided that it is, in the opinion of the Engineer, uniformly graded and otherwise suitable.

18. Bedding Concrete

Bedding concrete shall be mixed from materials acceptable to the Engineer. The mix shall be either Cadman Proflow 11021 CDF or a design mix having a 30-day compressive strength of 2,000 PSI.

19. Bedding Material

Pipe zone bedding material shall consist of crushed, processed, or naturally occurring granular material free from organic materials or other extraneous or objectionable materials. The material shall have such characteristics of size and shape that meet the specifications for grading and quantity as defined in WSDOT Standard Specs. 9-03.12(3).

20. Imported Backfill Material

Imported backfill material, known as "Common Borrow", shall consist of no rocks greater than 3" in any dimension, be free from wood, bark, roots or other extraneous material, and shall meet the specifications as further defined in WSDOT Standard Specs. 9-03.14(3).

21. Asphalt Concrete

Hot Mix Asphalt (HMA) pavement shall conform to the technical requirements of the WSDOT Standard Spec. 5-04 for HMA CI 1/2" (wearing) or CI 1"(other).

22. Crushed Surfacing

For use in the restoration of excavated areas, Base Course, Top Course and Keystone material shall be crushed gravel, free from wood, roots, bark and other extraneous materials and shall conform to WSDOT Standard Specs. 9-03.9(3).

23. Pressure Reducing Valve (PRV) Station

Unless otherwise shown on the construction plans, a standard pressure reducing station shall be sized and located to maintain maximum and minimum pressure limits. Check PRV manufacturer guidelines for maximum pressure differentials. PRV stations shall be located outside of traveled way. (See Standard Detail)

24. Vault Installation

Vaults for water facilities shall be constructed at the locations shown in the plans and in accordance with the plans, Standard Details and as directed by the Engineer.

The vault shall be placed on firm soil. If the material is inadequate, the contractor shall use foundation gravel to support the vault. The vault shall be plumb, watertight, and adjusted to match the finished grade or as directed by the Engineer. All interior walls shall be coated with

minimum 20 mils thickness of Tnemec white epoxy paint applied per manufactures specifications. Grading shall direct surface water away from the vault.

Vault floor shall drain to daylight or to location shown on the plan. Drain pipe shall be minimum 4" diameter. (See Standard Detail)

CONSTRUCTION

A. General

Except as otherwise noted herein, all work shall be done in accordance with the Plans and Specifications approved by the City and as recommended in applicable American Waterworks Association (AWWA) Specifications and/or the Washington State Chapter, American Public Works Association (APWA), and/or Washington State Dept. of Transportation (WSDOT) Standard Specifications for Road, Bridge, and Municipal Construction, and/or Issaquah Water Standards, and according to the recommendations of the manufacturer of the material or equipment used.

All construction covered by these standards shall conform to its specifications. In the event any other standard has been adopted by the City which conflicts with the Standard Specifications adopted in this section, the standard which better protects the public health, safety, and welfare as determined by the City shall control.

The Engineer shall at all times have access to the work for the purpose of inspecting and testing, and the Contractor shall provide proper facilities for such access and such inspection and testing. If any work is covered up without approval or consent of the Engineer, it must, if required by the Engineer, be uncovered for inspection.

Necessary sanitation convenience for the use of workmen on the job, properly secluded from public observation, shall be provided and maintained during the performance of the work.

Before commencing any construction work as described in the plans and specifications, the Contractor shall provide photographs of pre-existing conditions of the area that will be disturbed during construction operations. Photographs will be obtained as follows:

1. Every 25 feet interval in easements.
2. Every 50 feet interval in paved areas, and
3. Any other location as directed by the Engineer.

The photographs shall be taken with a high resolution digital camera.

B. Underground Utilities

The plans show the approximate locations of various existing utilities known to the Engineer, such as gas lines, water mains, storm drainage, power lines, telephone lines, television cables, and other obstructions based on information obtained from various sources. This information is not guaranteed to be accurate, and the Contractor is directed to check for interferences and obstructions by inquiry from the different utilities and by underground exploration ahead of his regular excavation.

The Contractor shall request field locates and notify the owners of underground facilities about the scheduled commencement of excavation through a One-Call number 811, 72 hours before construction for utility locations.

If the Utility is not included in the one-number locator service, notice shall be provided individually to those owners of underground facilities known to or suspected of having underground facilities within the area of proposed excavation.

Notice shall be made to owners of underground utilities not less than two (2) business days or more than ten (10) business days prior to scheduled date of commencement of excavation.

The Contractor shall excavate around and under utilities with special care and shall support and maintain them in service. Where it is necessary to cut, move or reconnect any utility lines, arrangements shall be made with the respective utility.

If a water main has been field marked as unlocatable and cannot be located by hand-digging or hydro excavator, the excavator must contact the City of Issaquah project inspector to arrange for an on-site meeting. City personnel will assess risk of damage and create a mitigation plan that may include throttling a water main or standing-by while reasonable care is taken in the continuance of work.

C. Site Maintenance

The Developer or Contractor shall schedule and control work so as to comply with the applicable provisions of the Right-of-Way Use Code and Procedures, Issaquah Municipal Code (IMC) Section 12.12, Clearing and Grading Ordinances Section 16.26, and Temporary Erosion and Sediment Control, Section 16.30 to prevent any hazards to public safety, health and welfare.

Two-way traffic shall be maintained at all times on existing streets unless detour plans or temporary traffic control plans along with public notification has been approved in advance by the City Engineer.

Streets shall be kept free of dirt, mud, rocks and other debris on a continuous basis in conformance with the Right-of-Way Use Code & Procedures (12.12).

Pedestrian facilities, to and from the fronting of the site, shall be kept free of obstructions, safety hazards and continuity maintained at all times.

Pedestrian and vehicular access to occupied buildings shall be maintained at all times except where prior approval from the building owner and City has been obtained.

Maintenance access shall be provided at all times to all existing City Utility appurtenances that require routine maintenance or emergency access.

Culverts, driveways, roadways, pipelines, or other existing improvements, which are removed or disturbed in the course of the work, shall be restored to their original condition at the expense of the Developer. In cutting through established lawns, the sod shall be removed before trenching and replaced after back filling to the satisfaction of the property owner. A signed release from the affected property owner will be required.

In the case of existing underground utilities, the developer shall ensure that access (valves, manholes, etc.) to said utilities is maintained at all times. Utility access covered by paving operations shall be immediately uncovered and then raised to grade within five (5) days.

The construction site shall be kept clean during the progress of the work. Before the work shall be considered complete, the Contractor shall clean out ditches and pipes that may have been filled during the work, replace damaged surfacing, remove surplus materials and trash and dispose of brush, repair all damages, and otherwise leave the job in a neat, orderly and workmanlike condition.

Protective fences are to be installed (silt, tree protection, slope, wetland, native growth protection easements, limits of clearing) prior to clearing, grading, or excavating. Call for inspections 24 hours (1 Business day) prior to start of work.

Where indicated on the Plans, a bright orange safety fence shall be placed parallel to the silt fence, 2 feet nearer to the construction activity. Top of fence shall be located 3 feet above ground. The fence shall be supported as recommended by the manufacturer and as directed by the Engineer.

The contractor shall apply water in the amounts needed at the locations necessary to provide adequate dust control. The contractor shall also maintain this control for the evening and weekends. Permission to draw water from a city fire hydrant must be granted by a permit available from the City of Issaquah Public Works Operations Department (425) 837-3470.

A Temporary Erosion & Sediment Control (TESC) preconstruction meeting shall be held before any work begins at the project site to review implementation of the TESC plans. The approved TESC plans shall be followed at all times, unless revisions are needed to address construction sequencing, changed site conditions, or unforeseen circumstances. Discharges from the project site shall not exceed 100 NTUs at all times up to the 10 year/24 hour storm event (3.5 inches of rainfall over a 24 hour period)

All work on easements shall be performed strictly in accordance with easement provisions. Easements shall be restored equal to or better than original condition. The Contractor shall do no work on easement areas until specifically authorized by the Engineer. A signed and written release from the easement grantor shall be furnished to the Utility Inspector prior to permit signoff.

D. Alignment

In general, all water mains shall be located 15 feet north or east of centerline in a 40-foot or 50-foot right-of-way and 20 feet north or east of centerline in a 60-foot right-of-way.

E. Trench Excavation

Trenches shall be excavated to the line and depth designated by the Engineer to provide a minimum of thirty-six (36) inch cover over the pipe, unless otherwise shown on the contract drawings. Except for unusual circumstances where approved by the City, the trench sides shall be excavated vertically and the trench width shall be excavated only to such widths as are necessary for adequate working space. The maximum trench width at the top of the pipe shall be thirty (30) inches for pipes twelve (12) inches and smaller or the outside diameter of the pipe barrel plus sixteen (16) inches for pipe larger than twelve (12) inches. The top width of the trench shall not exceed the outside diameter of the pipe plus thirty-six (36) inches. The trench shall be kept free from water until jointing is complete. Surface water shall be diverted so as not to enter the trench. The Contractor shall maintain sufficient pumping equipment on the job to insure that these provisions are carried out. Gravel required in the bottom of the trench due to action of weather or workers shall be furnished by the Contractor without expense to the City. Boulders, rocks, logs, roots and other obstructions shall be entirely removed or cut out to the width of the trench and to a depth six (6) inches below water main grade. Where material is removed from below water main grade, the trench shall be backfilled to grade with material satisfactory to the City and thoroughly compacted.

Trenching operations shall not proceed more than 50 feet in advance of pipe lying, except with written approval of the City.

Roadway paving shall be cut ahead of the trenching equipment to prevent excessive tearing up of the surfacing and to eliminate ragged edges.

Where the soil encountered in the bottom of the trench is unstable and unsuitable as a base for pipe, such soil shall be removed to a depth specified by the Engineer to provide uniform and stable bedding for the pipe.

Providing sawcutting, excavation, disposal, hauling, sheeting, shoring, cribbing, cofferdams, and all aspects involved therein shall be the sole responsibility of the Contractor.

F. Sheeting and Shoring

The Contractor shall provide and install sheeting and shoring as necessary to protect workers, the work, and existing buildings, utilities and other properties in compliance with OSHA and WISHA requirements. All sheeting and shoring above the pipe shall be removed prior to backfilling. Removal of sheeting and shoring shall be accomplished in such a manner that there will be no damage to the work or to other properties.

G. Pipe Laying

Ductile Iron pipe work shall be accomplished in accordance with AWWA Standard C600 and the manufacturer's recommendations unless specifically contradicted by these Specifications. Special care shall be taken in handling pipe to avoid damaging ends, coatings and linings. Pipe shall be carried in slings and shall not be rolled or dragged. The pipe shall be examined for defects and damage while suspended before lowering into trench. Any damage shall be repaired before pipe is lowered into trench.

The pipe shall be cleaned of all foreign material before lowering into the trench. Whenever pipe laying is not in process, the last section of pipe shall be tightly capped or plugged.

H. Bedding, Backfill and Compaction

Selected backfill material shall be placed and compacted around and under the water mains by hand tools, unless otherwise approved by City, to a height of six (6) inches above the top of the water main. The remaining backfill shall be placed and compacted in layers not more than twelve (12) inches thick, except that under roadways all backfill material shall be placed in layers not more than six (6) inches thick, and mechanically compacted. If suitable backfill material, as determined by the City, is not available from trenching operations, the City may order the placing of pipe bedding around the water main, and common borrow for backfilling the trench.

The City may require that an independent laboratory be employed to perform in-place density tests as proof of compaction which meets these Specifications. All costs shall be borne by the Contractor.

Compaction of backfill and backfill procedures in public rights-of-way shall at the minimum conform to the requirements of the governmental agency having jurisdiction thereof.

Backfilling shall be compacted to ninety-five percent (95%) of maximum density in all areas where paved streets, shoulders, driveways, or sidewalks will be placed over the backfill and to eighty-five percent (85%) of maximum density in all other areas. Measurement of compaction density shall be in accordance with ASTM D-1557 Modified Proctor method.

Prior to compaction of trench depths over forty-eight (48) inches, a proven method and pattern of compaction shall be submitted and approved by the City. If, in the judgment of the City, the excavated material cannot be compacted as specified, such material shall be replaced with imported backfill material.

When density tests are required by the City, the City will require that the services of an independent testing laboratory or county testing laboratory be employed to perform in-place density tests to ascertain whether the specified density can be or has been obtained, and the costs thereof shall be borne by the Developer. The maximum space between tests shall not exceed 100 linear feet.

Regardless of the approval by the City as to manner of compaction or testing, acceptance by the City or otherwise, the Contractor shall repair any settlement of trenches and excavations that may occur within one year after completion and acceptance of the work by the city.

I. Tunneling

Tunneling may be ordered by the City. Tunnels shall be not less than four (4) feet high and two (2) feet wide and not less than one (1) foot wider than the outside diameter of the pipe. Tunnels shall be backfilled with materials acceptable to the City and backfill shall be mechanically compacted.

The Contractor shall verify the vertical and horizontal location of existing utilities. If required to avoid conflicts and maintain minimum clearances, adjustment shall be made to the grade of the casing with approval from the City.

Boring pits shall be backfilled with select native or imported material and compacted to 95% maximum dry density as determined by ASTM D-1557. The contractor shall provide sufficient select backfill material to make up for any rejected material. All disturbed ground shall be restored to its original condition or better.

J. Highway Crossings

This item applies only to rigid surface pavements. The Contractor may use any method which provides satisfactory results and is acceptable to the governmental agency having control of the road and to the City, provided that the Contractor restores the roadway to its original condition. Normally, highway crossings require the placing of a steel, cast iron or concrete pipe casing by jacking or tunneling and laying the water mains within this casing. In case of tunneling, subsequent low pressure grouting through the pavement may be required.

K. Fire Hydrant Installation

Hydrant installation shall generally conform to AWWA Standard C600 unless specifically contradicted by the Standard Detail Fire Hydrant Assembly. Guard posts shall be installed where required by the City. Hydrant assembly shall be restrained with an approved system by the City. Pumper nozzle shall be fitted with 5-in. Storz hydrant adapter and cap.

An auxiliary gate valve shall be installed at the main line tee to permit the repair and replacement of the hydrant without disruption of service.

All hydrants shall stand plumb, be set to the finished grade with the lowest outlet of the hydrant no less than 18 inches above the grade and have no less than 36 inches in diameter of clear area about the hydrant for the clearance of hydrant wrenches on both outlets and on the control valve.

The pumper port shall face the street. Where the street cannot be clearly defined or recognized, the port shall face the most likely route of approach and location of the fire truck while pumping, all as determined by the Fire Marshal.

Hydrants shall not be obstructed by any structure or vegetation, or have hydrant visibility impaired within a distance of 150 feet in any direction of vehicular approach to the hydrant. A "blue" reflector will be placed on the centerline of the roadway in line with all hydrants where appropriate.

Fire hydrant installations shall be adequately protected against vehicular damage, in accordance with standards and specifications promulgated by the appropriate water authority.

L. Blow-Off Assemblies

Blow-off assemblies shall be installed at the end of all dead-end lines. Blow-off assemblies shall conform to the Issaquah Standard Details or be approved by the City.

M. Valve Installations

Before installation, valves shall be cleaned of all foreign material as hereinbefore specified for installation of pipe. Such blocking as the City may deem necessary shall be provided. The valve and valve box shall be set plumb with the valve box centered on the valve. The top of the valve box shall be set to grade. Valve boxes shall be set flush with finished roadway pavement or sidewalk. For locations outside of the roadway pavement or sidewalk, an asphalt concrete pad (2' X 2' X 4") shall be placed around the valve box.

N. Concrete Blocking

Concrete Blocking with specified material shall be cast in place and be full size width bearing against the fitting and bearing area against undisturbed soil. Additional bearing area may be required by the City. Blocking shall bear against fittings only and shall be clear of joints so as to permit taking up or dismantling joints. Fittings shall be separated from concrete blocks with 8-mil plastic sheeting. Blocking shall be designed by a licensed civil engineer to withstand full test pressure as well as to continuously stand operating pressures under all conditions of service. Blocks shall be left exposed for inspection.

O. Air and Vacuum Release Valve Installation

Combination Air Valves shall be of the single housing style that combines the operating features of both an Air Release valve and Air/Vacuum valve.

Location of the air and vacuum release valves as shown in the Plans is approximate. The installation shall be set at the high point of the line.

P. Hydrostatic Tests

Prior to the acceptance of the work, the installation shall be subjected to a hydrostatic pressure test of 150 psi over static pressure at the high point in the line for a minimum of 15 minutes, before leakage measurement starts. It shall then be held at this pressure, without pumping, and any leaks or imperfections developing under said pressure shall be remedied by the Contractor before final acceptance of the work. Leakage shall be measured by approved means in the presence of the city. The Contractor shall provide all necessary equipment and shall perform all work connected with the tests. Tests shall be made after corporation stops and service lines are installed. Insofar as is practical, tests

shall be made with pipe joints, fittings, and valves exposed for inspections. All valves within the section being tested shall be open. A temporary plug or blow-off assembly shall be installed at the end of the new main. This shall include restraint or blocking necessary to withstand pressures encountered during the hydrostatic test.

The quantity of water lost from the main shall not exceed the number of gallons per hour as determined by the formula:

$$L=(S*D*\text{sqrt } P)/266,400$$

in which

S = gross length of pipe tested, feet

D = nominal diameter of pipe, inches

P = test pressure during leakage test, psi

Typical leakage allowance:

Pipe Size	Allowable Leakage	Pipe Size	Allowable Leakage
4"	0.24	12"	0.71
6"	0.36	14"	0.83
8"	0.36	16"	0.95
10"	0.59	18"	1.07

Note: Allowable Leakage is gallons per hour per 1,000 ft of pipe base on test pressure of 250 psi.

Q. Sterilization of Water Mains

Sterilization of new water mains shall be accomplished by the contractor following AWWA C651-05 standards and in accordance with the requirements of Washington State Department of Health (DOH).

Form of Applied Chlorine

Chlorine shall be applied by one of three methods to give a dosage of not less than 50 mg/l of available chlorine:

Method - 1 Dry Calcium Hypochlorite

As each length of pipe is installed, sufficient high test calcium hypochlorite (65 -70% chlorine) shall be placed in the pipe to yield a dosage of not less than 50 mg/l available chlorine, calculated on the volume of the water to be contained in the pipe and appurtenances. This method may only be used if the pipes and appurtenances are kept clean and dry during construction.

Ounces of calcium hypochlorite granules to be placed in main for each 100-ft installed.

Pipe Diameter		Calcium Hypochlorite Granules	
In.	(mm)	oz	(g)
4	100	0.34	9.6
6	150	0.76	21.6
8	200	1.34	38
10	250	2.1	59.6
12	300	3.02	85.6

Method - 2 100% Gas Chlorine

A chlorine gas-water mixture shall be applied by means of a solution-feed chlorinating device. Chlorinating devices for feeding solutions of the chlorine gas shall provide means for preventing the backflow of water into the chlorine supply.

Method - 3 Sodium Hypochlorite

Sodium Hypochlorite, commercial grade (12.5% Cl₂) or in the form of liquid household bleach (5 - 6% Cl₂), may be substituted for the chlorine gas-water mixture. This liquid chlorine compound may be used full strength or diluted with water and injected into the Water Main with fill water in correct proportion to produce a mixture of at least 50 mg/l available Cl₂.

The Contractor shall be responsible for disposal of treated water flushed from mains and shall neutralize the waste water for protection of aquatic life in the receiving water before disposal into any natural drainage channel.

R. Service Connections

Service installation shall be as shown on the Standard Details.

Service saddles are required on all pipe except class 52 or thicker ductile iron pipe and for taps larger than one (1) inch. When the main is twelve (12) inch diameter or larger, the saddle shall be a double strap type.

Reconnecting existing services, the service connections shall not be transferred to the new main until it has been successfully flushed, disinfected and satisfactory bacteriological sample results are obtained. When transferring services from the existing main to the new main, the Contractor shall take sanitary precautions to protect the potable water supply in both the existing and new mains.

S. Connections to Existing Pipe Lines

The Contractor shall provide to the Engineer a request of utility shut-down a minimum of 8 working days in advance of the need of utility shut-down or connection. No shut-downs or connections shall occur on Mondays, Fridays or the day after a City holiday. The Contractor shall notify impacted customers not less than 2 working days in advance of interruption of water service.

Connection to the existing main shall take place only after the new main is flushed, disinfected, and satisfactory bacteriological sample results are obtained. Final flushing of main shall be at a velocity of 5-7 fps prior to placing in service.

The Contractor shall ensure that all fittings are in accordance with the approved plans and that the connection can be made in accordance with the plans. The Contractor shall immediately notify the Engineer if the connection cannot be made in accordance with the plans.

When tapping existing main lines where service cannot be interrupted, the tap shall be made under pressure with tapping tee and valve assembly. Joints shall be tested using normal test pressure prior to start of tapping existing main. City shall determine where tapping under pressure is required.

Where cut-ins are to be made in existing mains, the work shall be conducted at a time specified by City and in such a manner as to minimize the interruption of service. Necessary pipe, fittings and valves shall be assembled at the site ready for installation prior to the shutting off of water in the existing main. Once the water has been cut off, the work shall proceed continuously without interruptions and as rapidly as possible until completed.

Contractor shall not operate any valves, including fire hydrant valves, in any part of the City's water system, except in the presence of the City. Contractor shall notify the City 24-hours in advance of need to operate valves.

T. Painting

Exposed parts above ground shall be painted as follows:

- Fire hydrants shall be painted with two coats of Hammerite high gloss white paint.
- Hydrant posts and valve markers shall be painted with two coats of Hammerite high gloss white paint. Distance to valve shall be stenciled in black two (2) inch letters on the valve marker.

Appendix A Record Drawing Requirements And Drafting Standards

RECORD DRAWING REQUIREMENTS

Record drawings are required for all construction projects conducted in the City of Issaquah. All Record drawings must be stamped and dated by both a State of Washington Registered Engineer and Surveyor. Record drawing drawings are required prior to request for final inspection and issuance of Certificate of Occupancy.

The following Record Drawing requirements are intended to provide a minimum guide to the engineer of record and should be used along with good engineering practices.

Each sheet of the Record drawing plans shall include the following statement along with the engineer's professional stamp, signed and dated, located at the bottom right-hand corner of the sheet when possible:

“These plans are Record Drawings and the information shown accurately reflects existing field conditions as of this date: _____”

GENERAL:

The Record Drawing Plans should consist of the design plans submitted, approved, and permitted for the construction project. The information shown shall reflect the actual construction completed under the permit with any and all deviations from the design plans. The modified design plans shall not have cross outs.

Horizontal and vertical datum to be used are NAD 83/91 and NAVD 88. Tie monumentation to at least two recognized and approved City monuments on or off site, with x, y, z coordinates for each. AutoCAD drawings are to be drafted utilizing this datum for insertion into the City base maps.

Each utility shall be shown on separate sheets with detailed information. In addition, a composite with all utilities shown together, without detailed information, and focusing on utility crossings, is required. If the project has very limited utility information, request for approval for a composite only with all detailed information may be submitted to the City's Project Manager.

The layering convention and plans symbols shall follow established standards as indicated by the American Public Works Association, Washington State Chapter.

Record drawings are to be drawn on clean sheets and submitted to the Public Works Department with one mylar copy and two (2) sets of blue line copies. AutoCAD drawings are to be submitted on CD and properly labeled with project and drawing names.

SANITARY SEWER:

Record drawing information for sanitary sewer, at minimum, should include, but not be limited to:

Plan and profiles, including line size, slope, and length, location.

All sanitary structures are to be labeled regarding type, size, function and inverts of all pipes connected to the structure.

Manholes - Locations, types, rim/invert elevations inside/outside drops and valving.

Sewer Line - Materials, locations, lengths, slopes, inverts, and sizes

Side Sewers - Materials, locations, lengths, sizes, and inverts at stub

Public Utility Easements - Locations and widths tied to property lines

Details - Details of any unique structures or features

TV Report - Compare TV reports to side sewer locations.

WATER:

Record drawing information for water should include, but not be limited to:

Location of all valves, tee junctions, bends, blocking, size of meters, hydrants, pressure reducing stations, and blow-offs.

Sizes, type and lengths should be shown.

Water Lines - Material, lengths, sizes, and location.

Material, lengths, and sizes

Water Valves - Location, type, size

Water Bends - Location, size, type, blocking

Water Main Blocking - Location

All Fittings - Reducers, Expanders, Sleeves, etc.

Fire Hydrants – Locations w/ valves

Blow-off - Locations and sizes of blow offs and valves

Air & Vacuum Relief Valve - Locations, Size, Valves

Pressure Reducing Valves - Locations and valving, bends, all fittings outside vault

Water Meters – Type, size and locations (Domestic, Irrigation, Fire)

Water Services - Size, locations, material

Public Utility Easements - Locations and widths tied to property lines

Details of Connections

Fire Sprinkler Connections - Locations of line, size of line, type, location of detector vault, location of service valve Any and all unusual fittings or installations deemed applicable by City Inspector/Reviewer

STORM DRAINAGE:

Record drawing survey and volume computations for the retention/detention ponds or compensatory storage systems, if any, must also be prepared and stamped by a Washington Registered Surveyor.

All storm drainage retention/detention systems Record Drawings shall include the following statement:

“The storm drainage (retention/detention) system has been constructed in conformance with the approved plans and is functioning as designed.”

Information for the system, at minimum, should include, but not be limited to:

Plans and profiles, including line size, slope, lengths, and locations.

All storm structures are to be labeled regarding function, material, cast in place or precast with inverts.

Manholes/Catch Basins - Locations, types, rim/inert elevations of all pipes

Storm Lines - Materials, locations, lengths, slopes, sizes and inverts

Materials, lengths, slopes, and sizes

Roof Drains – Size, type and slope

Oil/Water Separators - Location, size, type, all rim/invert elevations

Flow Control Structures - Location, type, size, rim and all invert elevations, discharge control orifice sizes and elevations, overflow elevations

Swales – Plan & profiles, locations, length, width, slope; check dams, trash racks, cleanouts, and valving

Details - All structures required to be shown in detail. Details - any unique structures or features may also be required

Public Utility Easements - Locations and widths tied to property lines

Retention/Detention Systems - Volume of storage provided, storage elevation, storage/ponding limits, pond bottoms elevations, overflow elevations and locations, spillway, emergency overflow, berm elevations, piping w/ inverts

STREETS:

Record drawing information for roads should include, at minimum, but not limited to:

Monument locations, slopes, roadway limits, profiles, and typical & non-standard cross sections.

Center line elevations every 50 feet.

Center line slopes and vertical.

Gutter line elevations every 50 feet if not standard crown.

Gutter line slopes and curve data if not standard crown.

- Gutter line elevations at intersections and as applicable.
- Driveways - Locations, lengths, and type.
- Channelization - Locations and type.
- Signage - Locations and type.
- Illumination - Locations, type, height, and wattage.
- Service Cabinets - Location and type.
- Junction boxes - Locations and type.
- Conduits/Wire - Locations, type, size, and depth.
- Controller Cabinet - Location and type.
- Signalization - Locations, type, height, and foundation depths and sizes.
- Right-of-Way - Locations and widths.
- Easements - Locations and widths tied to property lines.
- R.O.W. Center line monument locations (property monuments if a Plat).

BRIDGES & CULVERTS OVER 72”

- Foundation: Location, type, elevation, and piling locations.
- Structure: Location, type, elevation, load rating for trucks of type (HS-20, Type-3, Type-352, Type 3-3, Military Load).
- Structural diagram of reinforcement location and elevation of all utilities and conduits.
- Earthquake analysis.

Reports:

- 1) Scour analysis
- 2) Load calculations
- 3) Earthquake analysis

SEWER LAYER LIST

LAYER NAME	COLOR	DESCRIPTION
SS- <i>size/type</i> (see below for List of pipe types)	GREEN	All sizes and types of sewer pipes. A different layer for each size and type. For example: SS-8PVC = 8” pvc pipe or SS-12DI = 12” ductile iron.
SS-SIDE	GREEN	All side sewers
SS-MH	GREEN	All sewer manholes and cleanouts.
SS-TEXT	WHITE	Size and Type of pipes and side sewers.
SS-DESC	WHITE	All other wording besides size & type. This will include all descriptions.
SS-ESMT**	WHITE	Public utility easements
*ABANDONED	YELLOW	All abandoned lines (size & type will Be under SS-TEXT layer, if we have it)

*Layers for internal city use only

** Linetype should be Hidden2

Sewer Pipe types (size of pipe will precede type abbreviation):

DI = ductile iron CY = clay DR = driscopipe PVC = pvc pipe
AC = Asbestos Cement RCP = Reinforced Concrete Pipe

Additional Information:

Linetype = continuous; Lineweight = default

Any additional abbreviated layers will be accompanied by description

STORM LAYER LIST

LAYER NAME	COLOR	DESCRIPTION
SD- <u>size/type</u> (See below for List of pipe types)	MAGENTA	All sizes and types of storm pipes. A different layer for each size and type. For example: SD-8PVC = 8" PVC or SD-12ADS = 12" ADS
SD-CB	MAGENTA	Type 1 Catch Basins
SD-MH	MAGENTA	Type 2 Catch Basins
SD-CO	WHITE	Clean Outs
SD-TEXT	WHITE	Size and Type of each storm pipe.
SD-DESC	WHITE	All other wording besides size & type. This will include all descriptions.
SD-ESMT**	WHITE	Public utility easements
SD-DTCH	MAGENTA	Swales, check dams, trash racks, trench drains, Valving, rockeries, retention walls, etc.
SD-OWS	MAGENTA	All Oil/Water separators
SD-DETN	MAGENTA	Ponds, detention chambers, spillways, overflow, etc.
*ABANDONED	YELLOW	All abandoned lines (size & type will be under WA-TEXT layer, if we have it)
SD-RD	MAGENTA	Roof Drains

*Layers for internal city use only

** Linetype should be Hidden2

Storm Pipe types (size of pipe will precede type abbreviation):

CPP = Corrugated Poly Pipe	N-12 = Corrugated Poly Pipe-smooth bore
RCP = Reinforced Concrete Pipe	VCP = Vitrified Clay Pipe
ADS = Flexible Poly Pipe	HDPE = High Density Polyethylene Pipe
CMP = Corrugated Metal Pipe	

Additional Information:

Linetypes = continuous; Lineweight = default

Any additional abbreviated layers will be accompanied by description

WATER LAYER LIST

LAYER NAME	COLOR	DESCRIPTION
WA- <u>size/type</u> (see below for List of pipe types)	BLUE	All sizes and types of water pipes. A different layer for each size and type. For example: WA-8DI = 8" ductile iron or WA-12CI = 12" cast iron.

WA-TEXT	WHITE	Size and Type of each water pipe.
WA-DESC	WHITE	All other wording besides size & type. This will include all descriptions.
WA-ESMT**	WHITE	Public utility easements
WA-WMET	BLUE	Water meters and water service lines.
WA-VALV	BLUE	All water valves
WA-FHYD	BLUE	All fire hydrants
WA-FIRE	BLUE	All fire sprinkler line connections
WA-FTNG	BLUE	All fittings (bends, blocking, blow offs, PRV, air & vacuum valves, etc.)
ABANDONED	YELLOW	All abandoned lines (size & type will be under WA-TEXT layer, if we have it)
*AC-PIPE	RED	Will be just for the lightning bolt symbol placed over each AC pipe.

*Layers for internal city use only

**Linetype should be Hidden2

Water Pipe types (size of pipe will precede type abbreviation):

DI = ductile iron CI = cast iron CO = copper STL = steel PVC = pvc pipe

Additional Information:

Linetypes = continuous; Lineweight = default

Any additional abbreviated layers will be accompanied by description

Appendix B Approved Materials List

(Oct. 14, 2013)

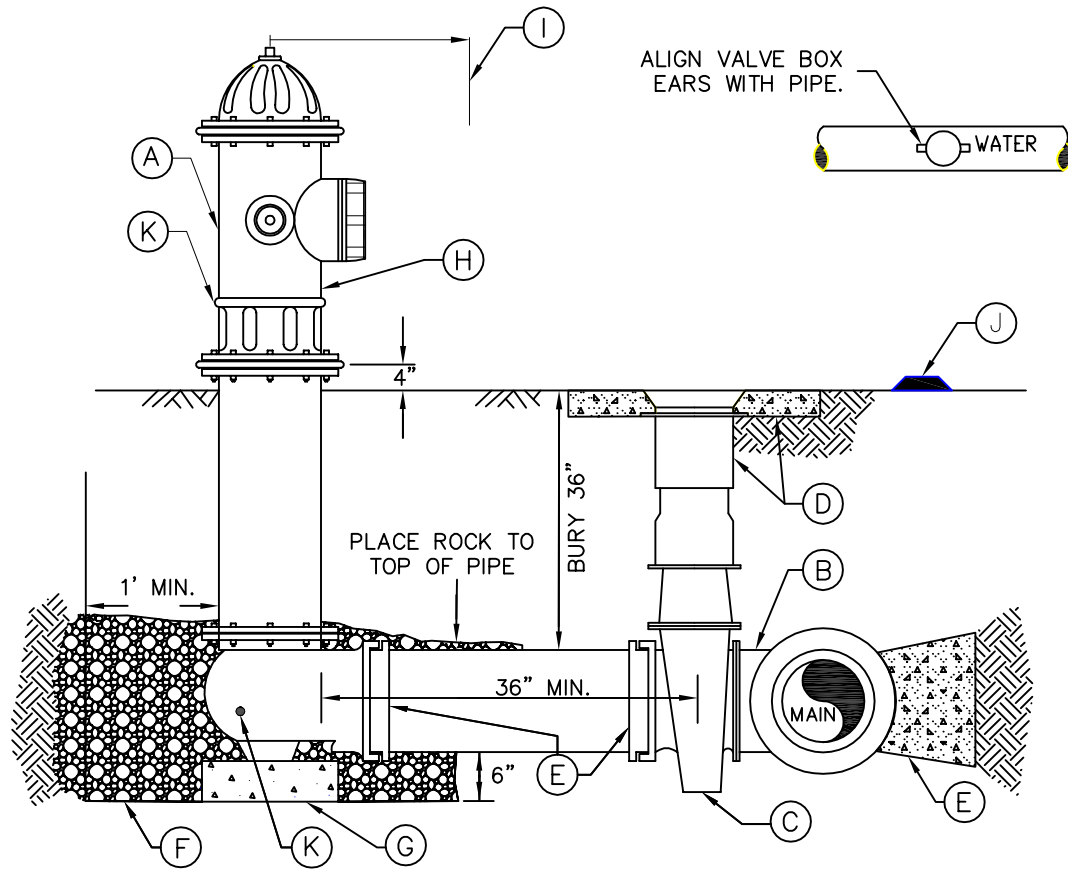
DESCRIPTION	MAKE AND MODEL	REFERENCE	REQUIRED	OR EQUIVALENT (submittals required)
WATER				
Restrained Joint Ductile Iron Pipe 10" & Larger	US Pipe TR Flex System or Griffin Snap Lock	AWWA: C-1501 AWWA: C-111 Minimum Thickness Class 52	X	
Class 52 Cement Lined Ductile Iron 3" & Larger (Mechanical Joint)	Griffin, US Pipe, Pacific States or American Ductile	AWWA: C-151 Minimum Thickness Class 52		X
Restrained Joints Thru 12"	Ebba Iron Mega Lug; 1100 Series, Ford; Uniflange Series 400 W/Uni-Torque; ¾" All Thread-Stainless Steel; Field Lok 350 Gaskets; Romac RomaGrip; TR Flex Gripper Ring; MJ Field Lok; Star Grip 3000	UL Listed and FM Approved	X	
Grooved Coupling Flange Adapter	Victaulic 341 Coupling	AWWA: C-606	X	
Couplings	Romac 511 or Ford Coupler		X	
Flanged Gaskets	Rainbow or Durable Garlock		X	
Gate Valves	Clow/M&H or Mueller	AWWA: C-509 (CI); C-515 (DI)	X	
Tapping "T's"	Romac SST/FTS 420	W-08		X
Air Release/ Vacuum Valves	APCO 140	W-07		X
Check Valves (Spring Loaded)	Cla-Val	AWWA: C-508	X	
Sample Stations	Kupferle Eclipse #88	W-12	X	
Hydrants	M&H 929 or Mueller (Super Centurion 250)	W-02	X	
Casing Spacers	APS #SSI & SI, Uniflange #UFRCS 1300	Water & Sewer		X
Casing End Seals	APS AC End Seal	Water & Sewer	X	

Locate Wire	Copper Clad Steel (CCS) 10 AWG, HDPE or HMWPE, colored jacket	Water, Sewer, Storm		X
Wire Splices	3M D8Y		X	
Pre-Manufactured Concrete Vaults	see WSDOT QPL			X
Double Leaf Full Open Vault Access Door	LW Products	Water, Street, Storm	X	
Ladder Post	Bilco-Ladder Up Post, LU-4	Sewer, Water, Storm, Street		X
Vault Penetration Seals	Link Seal Type C	Water,		X
Above Ground Enclosures	Hot Box/Heated	UL Approved & AWWA Approved		X
Valve Box Top	Olympic 940 18" Valve Box Top	G-15		X
Valve Box Lid	Olympic 940 DS	G-15		X
Valve Box Base	Olympic 940	G-15		X
DESCRIPTION	MAKE AND MODEL	REFERENCE	REQUIRED	OR EQUIVALENT (submittals required)
STREET				
Monument Case	EJIW #3695	T-43		X
Tubular Markers	Safe Hit (Multi-Purpose)	T-39	X	
Pre-Cast Curbing	see WSDOT QPL	T-39		X
Pavement Markers-RPM's	see WSDOT QPL	T-18/19		X
Padlocks	Best w/Interchangeable Construction Core	Street?	X	
Controlled Density Fill-CDF	Cadman: Pro Flow 5 Hour 110021; Dry Pac			X
Pre-Manufactured Concrete Vaults	see WSDOT QPL			X
Double Leaf Full Open Vault Access Door	LW Products	Water, Street, Storm	X	
Ladder Post	Bilco-Ladder Up Post, LU-4	Sewer, Water, Storm, Street	X	

DESCRIPTION	MAKE AND MODEL	REFERENCE	REQUIRED	OR EQUIVALENT (submittals required)
STORM WATER				
Storm Water Piping	HDPE; LCPE; DI; PVC, SDR 35; Concrete			X
Concrete No Catch Inlet	see WSDOT QPL			X
Catch Basin Type 1	see WSDOT QPL			X
Catch Basin Type 1L	see WSDOT QPL			X
Catch Basin Type 2	see WSDOT QPL			X
Grate-Vaned	EJIW 7700-M2; OFCO SM50 VG			X
Grate Bi-Directional Vaned	EJIW 7700-M3; OFCO SM50 2VG			X
Cover-Solid	EJIW 7700-Type A; OFCO SM50 S			X
Standard Frame	EJIW 7700; OFCO SM50			X
Through-Curb Inlet Frame	EJIW 7701-M2, -M3; OFCO SM52 VG			X
Rolled Curb Frame & Grate	EJIW 7711-M2, -M3; OFCO SM44RB 2VG			X
Grate-Area Inlet	EJIW 7700-M1; OFCO SM50G			X
Gate Valves-C509	M&H/Clow or Mueller		X	
Manhole Assembly Non-Locking	East Jordan: Lid #3705A DI Frame #3715Z	Sewer, Storm		X
Manhole Assembly Locking (Primarily Used For Easements)	East Jordan: Lid #3715APT DI Frame #3715ZPT			X
Ladders and Steps	Lane #p-13938; MA #PS2-PF	Sewer, Storm	X	
Padlocks	Best w/Interchangeable Construction Core	Street?	X	
Locate Wire	Copper Clad Steel (CCS) 10 AWG, HDPE or HMWPE, colored jacket	Water, Sewer, Storm		X
Pre-Manufactured Concrete Vaults	see WSDOT QPL			X

Double Leaf Full Open Vault Access Door	LW Products	Water, Street, Storm	X	
Ladder Post	Bilco-Ladder Up Post, LU-4	Sewer, Water, Storm, Street	X	
Grass Seed; Wet Mix (Ditch Only)	Mixture of Red Top and Highland Colonial Bent Grass			X
Grass Seed; Dry Mix	Red Fescue			X
Water Quality Treatment Devices ie; Filter Cartridges, Filter Vaults	(See Manual) Contech (provide filter type/model)			X
Tide Valve	Red Valve Co. Tideflex Check Valve TF-1			X
Earth Anchor System	Manta Ray	Spec.		X
DESCRIPTION	MAKE AND MODEL	REFERENECE	REQUIRED	OR EQUIVALENT (submittals required)
SEWER				
PVC Pipe	SDR 35(46PS)	ASTM D3034(4"-15") ASTM F-679(18"-36") ASTM D3212		X
HDPE Pipe	DR 21	ASTM D3350		X
Ductile Iron for Pressure Sewers-Protecto 401	Griffin Pipe Co. or U.S. Pipe & Foundry Co. or American Ductile	AWWA Class 52 ASTM A716/A746		X
Concrete Pipe, non-reinforced (<10")	see WSDOT QPL	ASTM C14, Class 2		X
Concrete Pipe, reinforced (>13")	see WSDOT QPL	ASTM C76		X
Precast Concrete Sewer Manhole	see WSDOT QPL	S-01, S-02, S-03		X

Clean Out Ring & Cover	EJIW 3671APT	S-07		X
Side Sewer Saddle	Romac Style CB	S-08		X
Pipe Support Saddle	Romac 101S	S-06	X	
Manhole Assembly Non-Locking	East Jordan: Lid #3705A DI Frame #3715Z	Sewer, Storm		X
Manhole Assembly Locking (Primarily Used For Easements)	East Jordan: Lid #3705APT DI Frame #3715ZPT	Sewer, Storm		X
Ladders and Steps	Lane #p-13938; MA #PS2-PF	Sewer, Storm	X	
Casing Spacers	APS #SSI & SI, Uniflange #UFRCS 1300	Water & Sewer		X
Casing End Seals	APS AC End Seal	Water & Sewer	X	
Locate Wire	Copper Clad Steel (CCS) 10 AWG, HDPE or HMWPE, colored jacket	Water, Sewer, Storm, Fiberoptic		X
Ladder Post	Bilco-Ladder Up Post, LU-4	Sewer, Water, Storm, Street	X	
Waterproof Manhole Insert	Southwestern Packing and Seals, Inc.- (Rain Stopper)			X



LEGEND:

- A. AVK 27SM-A2906-0AZJ2-8 OR A MUELLER SP-M423-540627 BOTH HYDRANTS SHIP FROM FACTORY IN 4-6 WEEKS . NOTE: THE PART NUMBERS SPECIFIED ARE FOR A 4' BURY DEPTH. PART NUMBERS WILL CHANGE WITH DIFFERENT HYDRANT BURY DEPTHS. PUMPER PORT TO FACE STREET OR AS DIRECTED BY THE FIRE DEPARTMENT.
- B. FLANGE OUTLET ON DUCTILE IRON TEE OR SEE STANDARD DETAIL W-08 (TAPPING TEES).
- C. 1-AUXILLARY GATE VALVE-AVK SERIES 45 C509 WITH DIRT SEAL OR MUELLER A2362 C509 WITH STAINLESS STEM AND DIRT SEAL, M.J.xFL. WITH LUGS. DO NOT MIX AVK PARTS WITH MUELLER PARTS OR MUELLER WITH AVK.
- D. 1-TWO PIECE CAST IRON VALVE BOX. SEE STANDARD DETAIL G-15 (VALVE BOX INSTALLATION).
- E. 1-6" DUCTILE IRON CLASS 52 CEMENT-LINED PIPE, LENGTH UP TO 50'. OVER 50', 8" CLASS 52 DUCTILE IRON IS REQUIRED. RESTRAIN PIPE WITH APPROVED SYSTEM - SEE APPROVED MATERIAL LIST OR STANDARD DETAIL W-01 (TYPICAL HORIZONTAL CONCRETE BLOCKING).
- F. ½ YARD WASHED DRAIN ROCK (7/8"), PLACE TO TOP OF PIPE. PLACE GEO FABRIC AROUND TOP AND SIDES OF GRAVEL, DO NOT BLOCK DRAIN HOLES. DEEPER EXCAVATION WITH MORE DRAIN ROCK MAY BE REQUIRED IN POOR DRAINING SOILS.
- G. 16"x8"x4" MINIMUM SIZE CONCRETE BLOCK UNDER HYDRANT.
- H. FOOTAGE TO VALVE STENCILED ON HYDRANT IN 2" BLACK BLOCK ENAMEL NUMBERS TO THE NEAREST FOOT. LETTERS SHALL FACE HYDRANT VALVE.
- I. MINIMUM 3' CLEAR, LEVEL AREA AROUND HYDRANT.
- J. TWO WAY 4" SQUARE RAISED PAVEMENT MARKER BLUE. PLACE 4" OFF STREET CENTERLINE - HYDRANT SIDE.
- K. DRAIN HOLE

NOTES:

- 1. HYDRANT SHALL BE VERTICAL (PLUMB).
- 2. EXTENSION KITS ARE NOT ALLOWED.

REVISION: MARCH 1, 2018

NO SCALE



CITY OF
ISSAQUAH
WASHINGTON
PUBLIC WORKS DEPARTMENT - WATER



FIRE HYDRANT ASSEMBLY

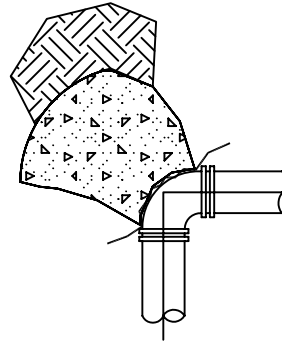
STANDARD
DETAIL NO.
W-02

THRUST BLOCK – TABLE

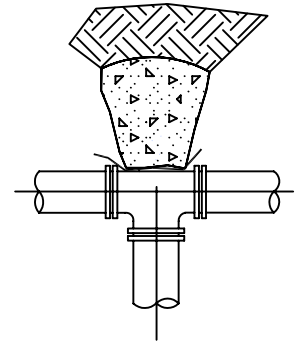
PIPE SIZE	PRESSURE PSI	MINIMUM BEARING AREA AGAINST UNDISTURBED SOIL SQUARE FEET				
		90°	TEE CAP	45°	22 1/2°	11 1/4°
4"	300	11	3.8	8	4.2	2.1
6"	300	22.4	17	16	8.6	4.4
8"	300	38.6	29	27.3	14.8	7.5
10"	300	58	43.5	41	22.2	11.3
12"	300	82	61.6	58	31.4	16

THIS TABLE IS PROVIDED AS A MINIMUM GUIDELINE ONLY. ALL BLOCKING SHALL BE DESIGNED AND STAMPED BY A LICENSED CIVIL ENGINEER.

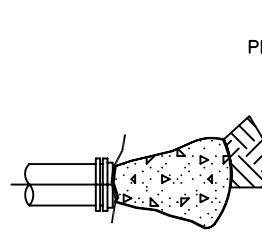
* TABLE CALCULATED AT 1000 LB/SF BEARING AREA.



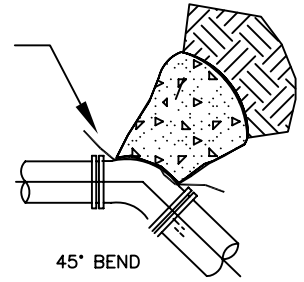
90° BEND



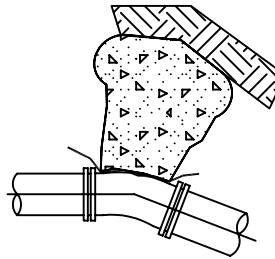
TEE



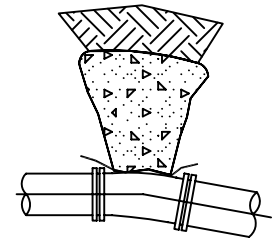
CAP



45° BEND



22 1/2° BEND



11 1/4° BEND

NOTES:

1. ALL BLOCKING SHALL BE DESIGNED AND STAMPED BY LICENSED CIVIL ENGINEER.
2. BLOCKING SHALL CONSIST OF A MINIMUM 3,000 PSI READY MIX CONCRETE W/6" MAXIMUM SLUMP
3. CONCRETE BLOCKING SHALL BE CAST IN PLACE & HAVE MINIMUM OF 1/2 SQUARE FOOT BEARING AGAINST THE FITTING.
4. BLOCK SHALL BEAR AGAINST FITTINGS ONLY & SHALL BE CLEAR OF JOINTS TO PERMIT TAKING UP OR DISMANTLING JOINT.
5. CONTRACTOR SHALL INSTALL BLOCKING ADEQUATE TO WITHSTAND FULL TEST PRESSURE AS WELL AS TO CONTINUOUSLY WITHSTAND OPERATING PRESSURE UNDER ALL CONDITIONS OF SERVICE.
6. 8 MIL PLASTIC INSTALLED BETWEEN PIPE AND CONCRETE.
7. BLOCKING SHALL BEAR AGAINST FITTING ONLY AND SHALL BE CLEAR OF JOINTS AND BOLTS.
8. VERTICAL BLOCKING SYSTEMS REQUIRE SPECIAL DESIGN BY A LICENSED CIVIL ENGINEER.

* IN SOFT SOIL OR PEAT, ALL THRUSTS BLOCKS SHALL BE RESTRAINED BY PILES OR BY REMOVAL OF MUCK OR PEAT AND REPLACEMENT WITH BALLAST OF SUFFICIENT STABILITY TO RESIST THRUST. (ENGINEERING DESIGN REQUIRED).

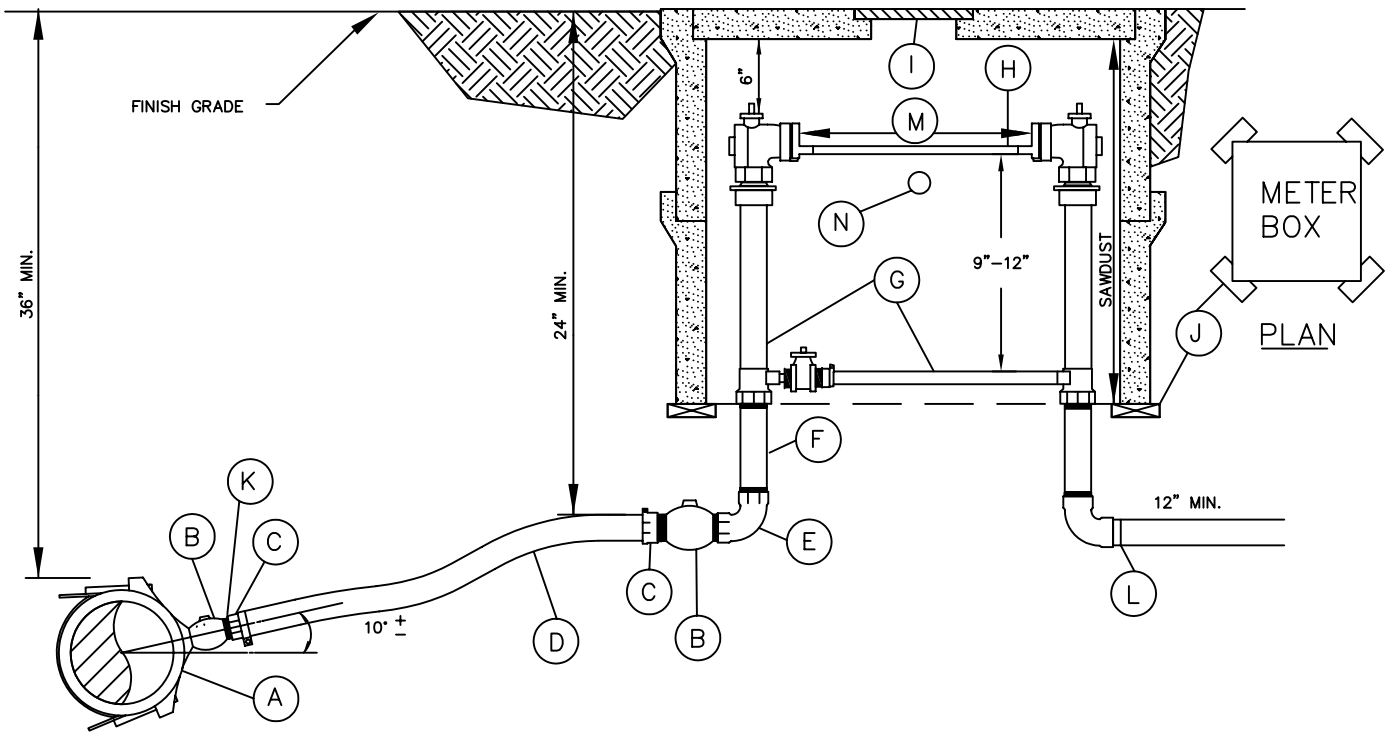
REVISION:

NO SCALE



HORIZONTAL CONCRETE BLOCKING

**STANDARD
DETAIL NO.
W-03**

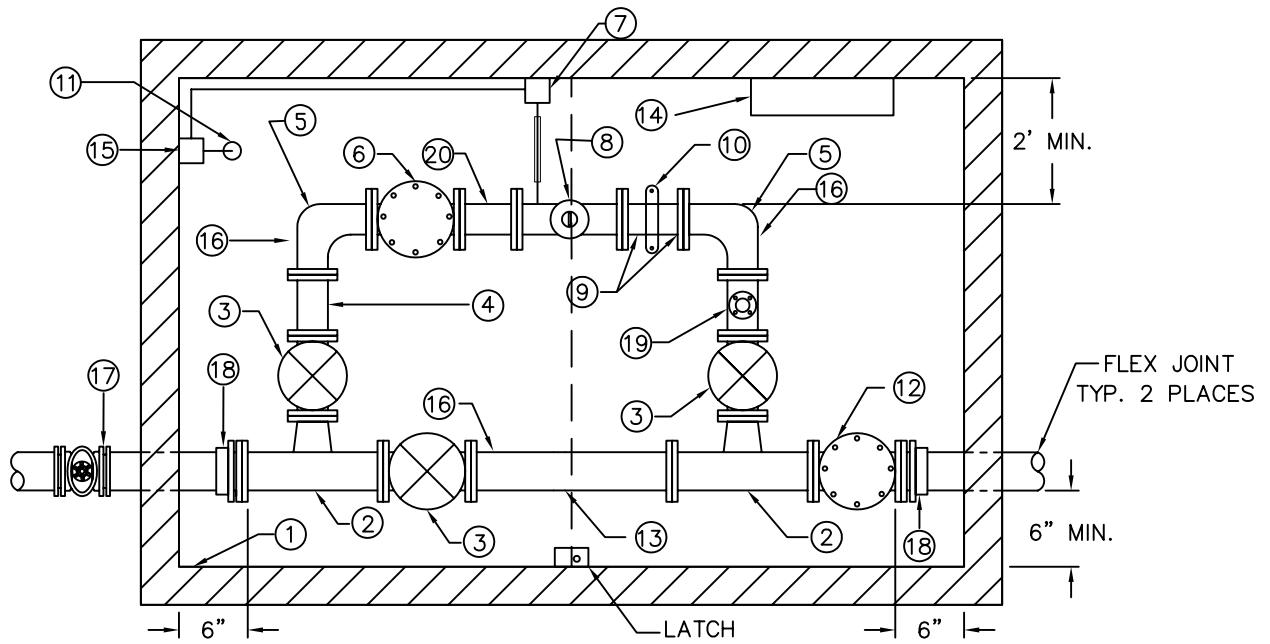


- (A) DOUBLE STRAP STAINLESS STEEL SERVICE SADDLE WITH TAPER (CC) TAP, ROMAC 202S, OR EQUAL. SIZE AS REQUIRED.
- (B) CORPORATION STOP, MALE IRON PIPE INLET BY MALE IRON PIPE THREAD OUTLET WITH BALL VALVE FORD BALLCORP FB500 MUELLER ORISEAL NO. H-9968.
- (C) COUPLING, FEMALE IRON PIPE THREAD BY PACK JOINT (COMPRESSION FITTING) FOR COPPER. FORD C84-66 OR C84-77. (FOR COPPER TUBING CONNECTION.)
- (D) COPPER TUBING, TYPE K OR SCHEDULE 40 BRASS PIPE.
- (E) STREET ELL, BRASS, MALE IRON PIPE THREAD BY FEMALE IRON PIPE THREAD.
- (F) NIPPLE, BRASS, M.I.P.T. X M.I.P.T., 12" LONG OR AS REQUIRED TO MEET PROPER GRADE.
- (G) BRASS AND COPPER METER SETTER WITH BYPASS, CHECK VALVE, BALL VALVE WITH PADLOCK WINGS ON INLET, AND BYPASS. VERTICAL INLET AND OUTLET FORD VBH86-12B-11-66/VBH87-12B-11-7
- (H) METER: SENSUS 1 1/2" OR 2" SR WITH BRONZE CHAMBER IN CUBIC FEET WITH TOUGH READ REGISTER, PIT LID ADAPTER, AND RADIO READ MODULE. CONTRACTOR TO INSTALL ALL THREAD THROUGH FLANGES TO MAINTAIN METER SET DIMENSIONS PRIOR TO METER INSTALLATION.
- (I) TWO (2) CONCRETE METER BOXES (STACKED), FOGTITE OR EQUAL. FOGTITE NO. 2 IN NONTRAVELED AREAS AND SIDEWALK (CONC. LID WITH ALUM. INSPECTION PLATE). FOGTITE NO. 2S DIPPED (TOP BOX ONLY). IN AREAS WITH VEHICULAR TRAFFIC LID DRILLED FOR PIT LID ADAPTER. SET AT, AND LEVEL WITH, GRADE.
- (J) BRICK - 3 1/2"x8"x16".
- (K) SWING JOINT USED WITH RIGID COPPER OR BRASS PIPE CONNECTION.
- (L) PLUG.
- (M) FACE TO FACE DIMENSIONS: 1 1/2" METER = 13 3/8" & 2" METER = 17 3/8".
- (N) 2" PVC CONDUIT, SEE STANDARD DETAIL W-25 FOR CONDUIT AND MXU DETAILS.

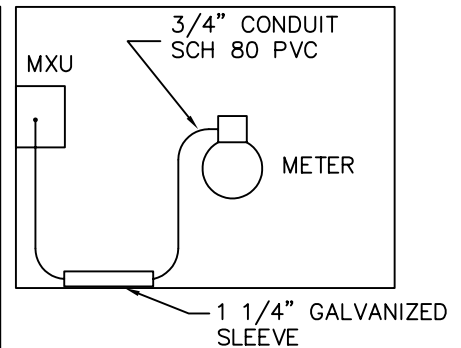
1. SERVICE LINE MUST BE INSTALLED PERPENDICULAR TO THE WATER MAIN. COMPACT TRENCH TO 95% MAX. DRY DENSITY PER ASTM D-1557.
2. SERVICE SADDLES ARE REQUIRED ON ALL PIPE.
3. DOH APPROVED BACK FLOW PREVENTION DEVICES MUST BE INSTALLED ON ALL IRRIGATION AND FIRE SERVICES AND SHALL BE TESTED AND APPROVED BY THE CITY PRIOR TO SERVICE ACTIVATION.
4. OFFSET METER BOX TO LEFT OR RIGHT.
5. INSTALL DOUBLE SERVICES WITH SINGLE 2-PORT MXU (model 520) RADIO-READ WITH TOUCH COUPLER CABLE.
6. ON DOUBLE SERVICES PLACE THE MXU IN THE METER BOX WITH THE METER WIRED TO PORT NUMBER 1.
7. DOUBLE SET SERVICES MUST BE NO MORE THAN 2 FEET APART.
8. SINGLE SET SERVICE MUST BE A MINIMUM OF 20' APART.
9. THE CITY SHALL MAKE ALL ELECTRICAL CONNECTIONS.
10. SERVICES SHALL BE INSTALLED BY THE CITY ON CITY OWNED MAINS.
11. METERS SHALL BE SET AT PROPERTY LINES OR IN SIDEWALK, SEE STANDARD DETAIL W-25.
12. AVOID VEHICLE TRAVEL AREAS.
13. SERVICES SHALL NOT BE TAPPED OFF HYDRANT OR FIRE SPRINKLER SYSTEM BRANCHES.
14. BYPASS WILL BE LOCKED OFF BY CONSTRUCTION INSPECTOR WHEN METER SPREADER IS INSTALLED.
15. CITY SHALL INSTALL METER UNLESS OTHERWISE APPROVED.
16. CONTRACTOR SHALL CONNECT HOUSE TO METER PRIOR TO RADIO READ METER INSTALLATION.
17. SEE STANDARD DETAIL W-25 FOR RADIO READ INSTALLATION DETAIL.
18. PROVIDE POSITIVE DRAINAGE AWAY FROM METER BOX.

REVISION:

NO SCALE



NUMBER	QUANTITY	DESCRIPTION
1	1	VAULT-SIZE TO FIT, SEE DETAIL G-08
2	2	FLG TEE
3	3	FLG X FLG GATE VALVE WITH HAND WHEEL OP C509
4	4	FLANGED SPOOL MATCH LENGTH OF # 19
5	2	FLANGED 90
6	1	BASKET STRAINER
7	1	J BOX - PLASTIC / WATER-TIGHT
8	1	METER COMPOUND WITH TR TRPL AND RADIO READ MXU W/ 12' WIRE
9	1	FLANGEDxVICTAULIC SPOOL - MADE TO FIT - MIN. 2 PIPE DIAMETERS
10	1	VICTAULIC COUPLING STYLE 31
11	1	VAULT LID - PIT LID ADAPTER HOLE
12	1	SWING CHECK FLG X FLG
13	1	FLANGE SPOOL MADE TO FIT
14	1	LADDER - SEE DETAIL G-08
15	1	MXU - INSTALLED BY CITY
16	3	STANCHIONS - GRINNEL #264
17	1	VALVE AT MAIN CONNECTION
18	2	VICTAULIC 341 COUPLING
19	1	SIZE X 2" FLG TEE WITH 2" BLIND FLG. BLIND FLG SHALL HAVE FIP THREADS, 2" MIP BALL CORP WITH 2" x 2 1/2" FNST ADAPTER WITH BRASS CAP.
20	1	FLG X FLG SPOOL - MIN. LENGTH = 2 PIPE DIAMETERS



NOTES:

- ALL MATERIALS, INCLUDING METER SHALL BE FURNISHED BY THE CONTRACTOR.
- ALL PIPE & FITTINGS 3" & LARGER SHALL BE CEMENT LINED DUCTILE IRON, CLASS 53 MINIMUM.
- TEE WITH GATE VALVE REQUIRED AT DISTRIBUTION MAIN.
- VAULTS SHALL NOT BE INSTALLED IN AREAS WITH VEHICULAR TRAFFIC.
- PROVIDE 24" CLEARANCE BETWEEN VAULT FLOOR AND CENTER LINE OF COMPOUND METER. WHERE ELEVATION OF VAULT FLOOR IS TOO LOW TO DRAIN TO DAYLIGHT OR STORM SYSTEM, THIS CLEARANCE CAN BE REDUCED TO A MINIMUM OF 12", IF SUBSTITUTION OF A SHORTER VAULT ALLOWS FLOOR TO DRAIN TO DAYLIGHT OR STORM SYSTEM.
- ALL FITTINGS OUTSIDE VAULT SHALL INCLUDE THRUST BLOCKING OR JOINT RESTRAINT DEVICES. SEE APPROVED MATERIAL LIST.
- TOP OF VAULT SHALL BE 3" ABOVE FINISHED GRADE IN LANDSCAPE AREAS.
- PROVIDE POSITIVE DRAINAGE AWAY FROM VAULT.
- MOUNT PIT LID ADAPTER IN VAULT LID 4" FROM HINGE - 1 7/8" IN DIAMETER HOLE
- USE TURBINE METER FOR IRRIGATION (UNLESS OTHERWISE NOTED).
- 3" METER USES A 4" BYPASS WITH 4" X 3" TEES.
- ALL MXU CONDUIT SHALL BE 3/4" SCH 80 PVC WITH A NYLON PULL CORD INSIDE.
- ALL CONDUIT BENDS SHALL USE LONG RADIUS SWEEPS.
- ALL CONDUIT CONNECTIONS MUST BE WATER TIGHT.
- 3/4" CONDUIT SHALL BE SUPPORTED WITH STAINLESS STEEL HANGERS AND HARDWARE.
- PLACE 1 1/4" GALVANIZED SLEEVE AROUND 3/4" CONDUIT ON BOTTOM OF VAULT WITH TIGHT ENDS.

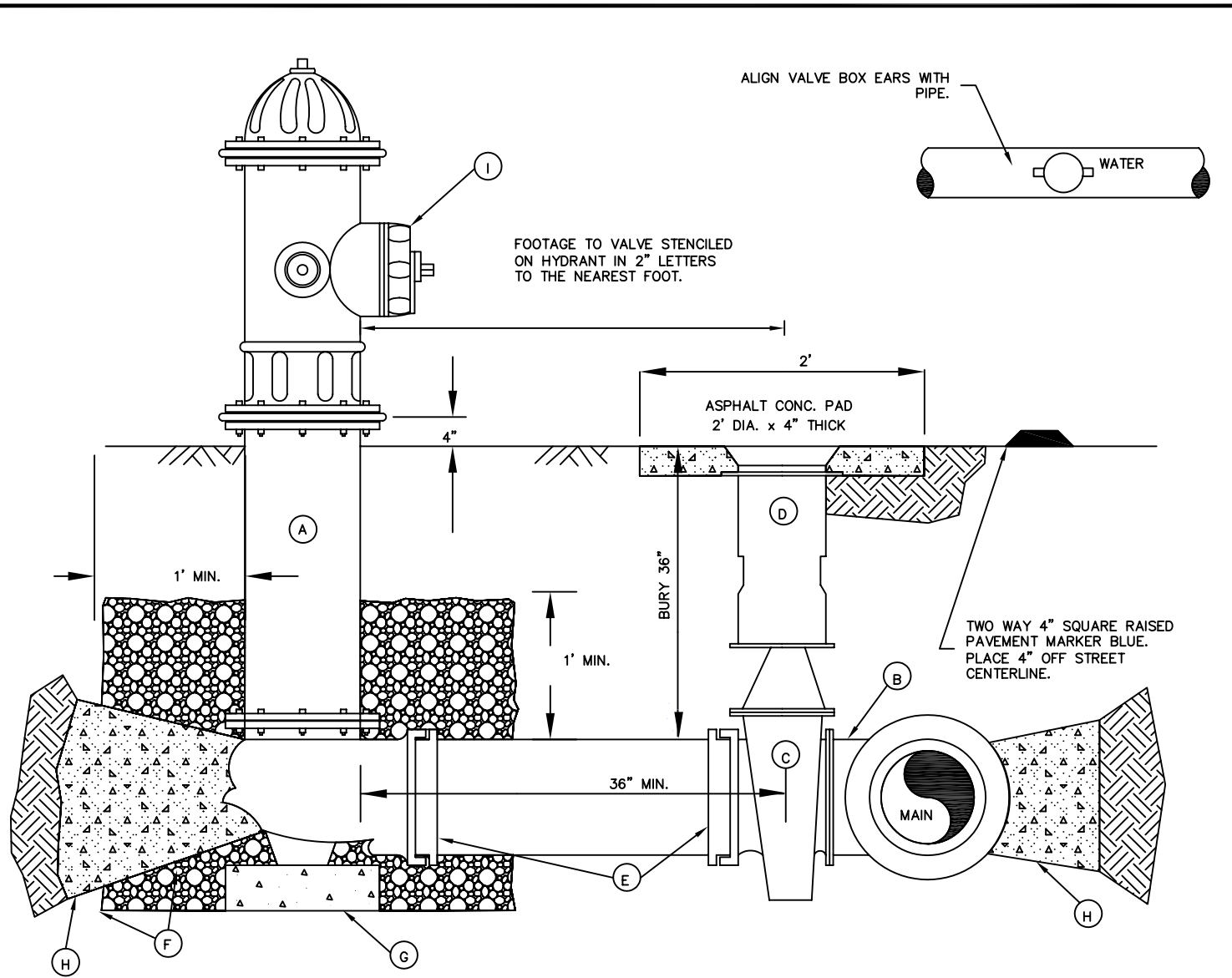
REVISION:

NO SCALE



**3" AND LARGER METER
INSTALLATION**

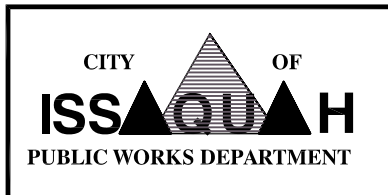
**STANDARD
DETAIL NO.
W-05**



- A. M & R/929 OR MUELLER CENTURIAN 1-5 1/4" M.V.O. HYDRANT WITH 2-2 1/2" N.S.T. AND 1-4" PUMPER PORTS, SEATTLE STANDARD THREAD-M.J. INLET, WITH LUGS, BRASS TO BRASS SUB-SEAT. FIRE HYDRANT TO BE PAINTED WITH TWO MIL. 2 COATS OF HAMMERITE HIGH GLOSS WHITE SMOOTH PAINT. PUMPER PORT TO FACE STREET, OR AS DIRECTED BY THE FIRE DEPARTMENT. SEE APPROVED MATERIAL LIST.
- B. 6" FLANGE OUTLET ON DUCTILE IRON TEE. OR SEE STANDARD DETAIL W-16.
- C. 1-AUXILIARY GATE VALVE: 6" AWWA C509, RESILIENT SEAT, M.J.xFL. WITH LUGS. SEE APPROVED MATERIAL LIST.
- D. 1-TWO-PIECE CAST IRON VALVE BOX. SEE STANDARD DETAIL W-18.
- E. 1-6" DUCTILE IRON CLASS 52 CEMENT-LINED PIPE, LENGTH UP TO 50'. OVER 50', 8" CLASS 52 DUCTILE IRON IS REQUIRED. RESTRAIN PIPE WITH APPROVED SYSTEM - SEE APPROVED MATERIAL LIST.
- F. 1/2 YARD WASHED DRAIN ROCK (7/8"), MIN. 1' ABOVE BOOT FLANGE PLACE 8 MIL POLYETHYLENE FILM AROUND TOP AND SIDES OF GRAVEL DO NOT BLOCK DRAIN HOLES. DEEPER EXCAVATION WITH MORE DRAIN ROCK MAY BE REQUIRED IN POOR DRAINING SOILS.
- G. 16"x8"x4" MIN. SIZE CONCRETE BLOCK UNDER HYDRANT.
- H. CONC. BLOCKING PER STD DETAIL W-03.
- I. 5" STORZ HYDRANT ADAPTER WITH CAP.
- J. MINIMUM 3' CLEAR AREA AROUND HYDRANT.
- K. HYDRANT SHALL BE EXACTLY VERTICAL (PLUMB).
- L. EXTENSION KITS ARE NOT ALLOWED.
- M. SPACING - 500' RESIDENTIAL, 300' COMMERCIAL.
- N. MINIMUM 50' FROM BUILDING.
- O. HYDRANT MUST BE VISIBLE FOR 150'.

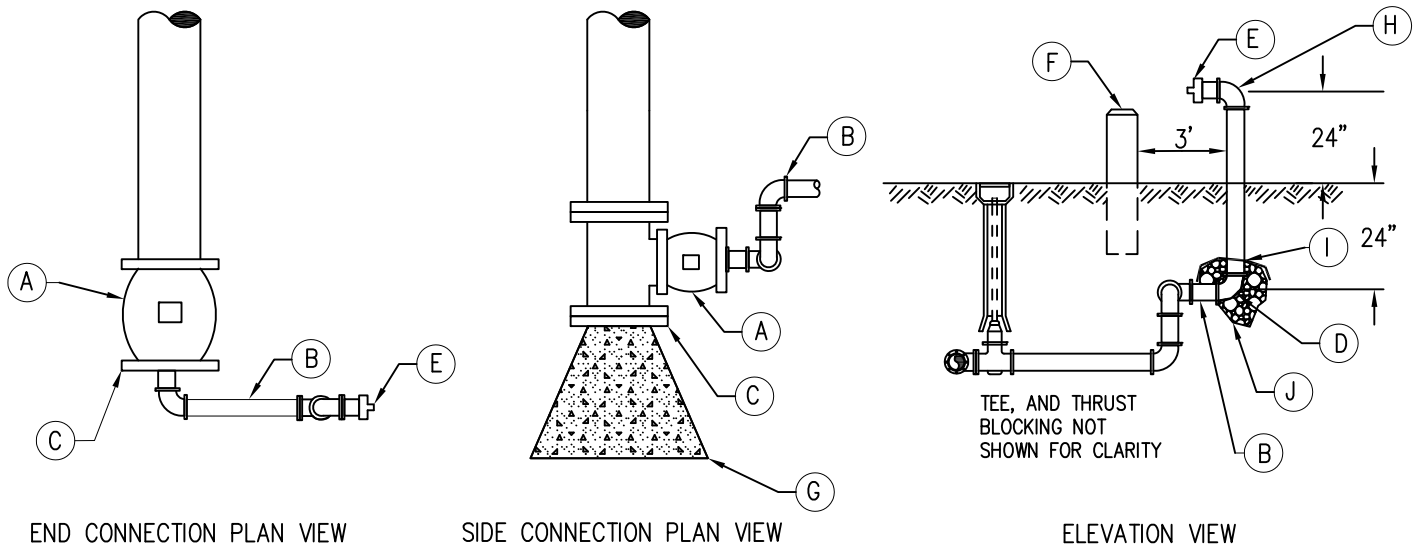
REVISION:

NO SCALE



FIRE HYDRANT ASSEMBLY

STANDARD
DETAIL NO.
W-06



MAIN SIZE	QUANTITY	BLOW-OFF SIZE
6	1	4"
8	1	4"
10	1	F.H.
12	1	F.H.
≥16	PIG	4"

LEGEND:

- A. CAST IRON GATE VALVE, MAIN SIZE x BLOW-OFF SIZE TEE, AVK SERIES 65.
- B. BRASS OR DUCTILE IRON PIPE.
- C. BLIND FLANGE OR M.J. PLUG x SIZED BLOW-OFF PIPE.
- D. 90° ELBOW WITH 1/8" DRAIN HOLE.
- E. 4" BRASS CAP WITH SEATTLE STANDARD THREAD.
- F. GUARD POSTS WHEN REQUIRED. SEE STANDARD DETAIL G-04 (TYPICAL BOLLARD PLACEMENT – SEE FIXED BOLLARDS).
- G. PROVIDE RESTRAINED JOINTS OR THRUST BLOCKS FOR DEAD END. (PER DESIGN ENGINEER). SEE STANDARD DETAIL W-01 (TYPICAL HORIZONTAL CONCRETE BLOCKING DETAIL).
- H. PAINT ALL ABOVE-GROUND PIPE, FITTINGS AND GUARD POST(S) WHITE PER SHERWIN WILLIAMS RECOMMENDATIONS. BLOW-OFF ASSEMBLY MUST BE CLEANED, SCUFFED SANDED AND PREPARED PER PAINT MANUFACTURE SPECIFICATION. PRIME WITH 1 COAT (6 MILLS) OF SHERWIN WILLIAMS PRO-CRYL ACRYLIC PRIMER (B66 W 310 643-22681) AND THEN TOP COAT WITH 1 COAT (6 MILLS) SHERWIN WILLIAMS CRYL-HPA HIGH PERFORMANCE ACRYLIC GLOSS (B66 W 377 6405-18908) HIGH GLOSS BRIGHT WHITE.
- I. PROVIDE GEO-FABRIC AROUND TOP AND SIDES OR ROCK. DO NOT BLOCK DRAIN HOLE.
- J. PLACE 1/2 YARD OF 3/8" WASHED ROCK AROUND DRAIN HOLE. DEEPER EXCAVATION WITH MORE DRAIN ROCK MAY BE REQUIRED IN POOR DRAINING SOILS.

NOTES:

- 1. SEE STANDARD DETAIL G-15 (VALVE BOX INSTALLATION).
- 2. LOCATION OF BLOW-OFF TO BE DETERMINED BY CITY.
- 3. STENCIL FOOTAGE TO VALVE ON DISCHARGE PIPE. 2" BLACK BLOCK ENAMEL NUMBERS.
- 4. HYDRANT ASSEMBLIES MAY BE SUBSTITUTED FOR BLOW-OFF ASSEMBLIES. SEE STANDARD DETAIL W-02 (FIRE HYDRANT ASSEMBLY).
- 5. VALVE SHALL BE LOCATED AT LEAST 3' FROM GUARD POST OR STAND PIPE.

REVISION: MARCH 1, 2018

NO SCALE



CITY OF
ISSAQUAH
WASHINGTON

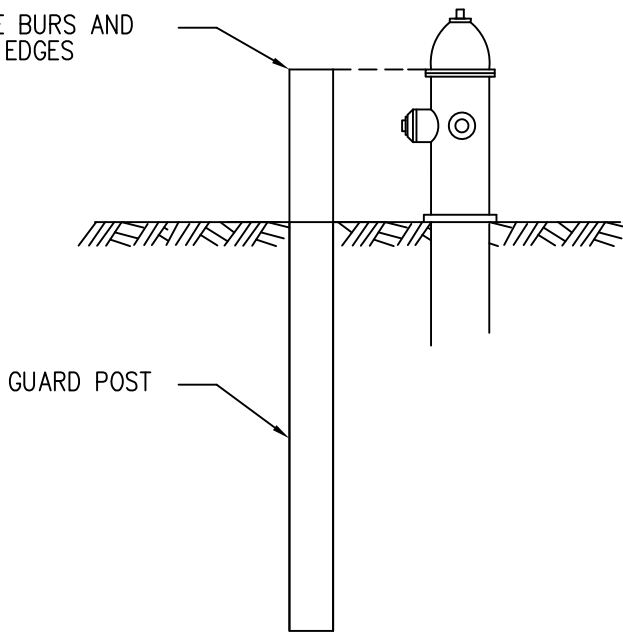
PUBLIC WORKS DEPARTMENT - WATER



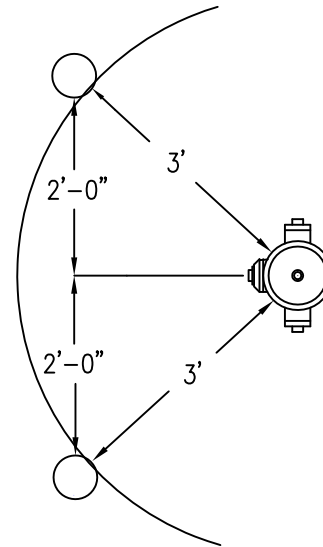
BLOW-OFF ASSEMBLY

STANDARD
DETAIL NO.
W-04

REMOVE BURS AND SHARP EDGES



ELEVATION



PLAN

NOTES

1. GUARD POST SHALL BE 6" CLASS 52 D.I. PIPE, 6' LONG, FILLED WITH CEMENT. GUARD POST MUST BE CLEANED, SCUFFED SANDED AND PREPARED PER PAINT MANUFACTURE SPECIFICATION. PRIME WITH 1 COAT (6MILLS) OF SHERWIN WILLIAMS PRO-CRYL ACRYLIC PRIMER (B66 W 310 643-22681) AND THEN TOP COAT WITH 1 COAT (6MILLS) SHERWIN WILLIAMS CRYL-HPA HIGH PERFORMANCE ACRYLIC GLOSS (B66 W 377 6405-18908) HIGH GLOSS BRIGHT WHITE.
2. D.I. GUARD POSTS SHALL ONLY BE USED IN PARKING LOTS, AS DIRECTED.
3. WOOD GUARD POSTS MAY BE USED IN RIGHT-OF-WAY. SEE STANDARD DETAIL G-04 (TYPICAL BOLLARD PLACEMENT SEE FIXED BOLLARDS).

REVISION: MARCH 1, 2018

NO SCALE



CITY OF
ISSAQUAH
WASHINGTON

PUBLIC WORKS DEPARTMENT - WATER

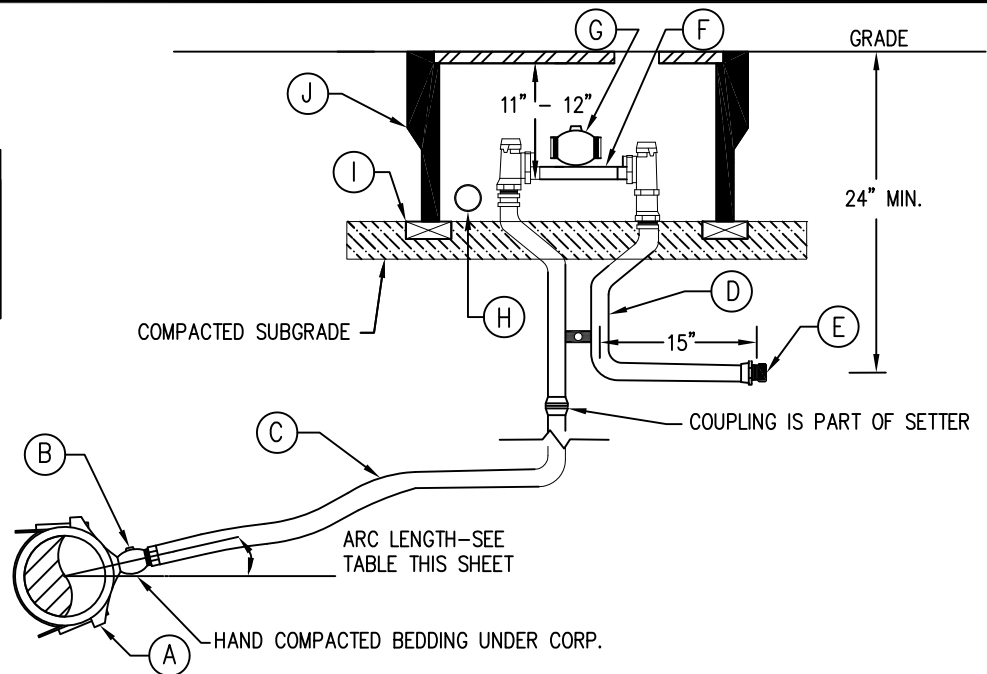


EXPIRES

GUARD POST

STANDARD
DETAIL NO.
W-03

ARC LENGTH TABLE				
	MEASURED DISTANCE			
PIPE SIZE	8"	12"	16"	24"
ARC LENGTH	2"	3"	4"	6"



LEGEND

- | | |
|---|--|
| <p>A. ROMAC SADDLE
STAINLESS STEEL (SINGLE STRAP) SERVICE SADDLE WITH TAPER (CC) TAP. DOUBLE STRAP FOR 12" AND LARGER PIPES.</p> <ul style="list-style-type: none"> • ROMAC 101NS FOR UP TO 12" DUCTILE & CAST IRON. • ROMAC 202NS FOR 12" OR LARGER DUCTILE & CAST IRON. • ROMAC SSI FOR AC. <p>B. CORPORATION STOP; TAPER (CC) INLET x COMPRESSION FOR COPPER OUTLET.</p> <ul style="list-style-type: none"> • FORD FB1000-3-Q FOR 3/4" SERVICE LINE • FORD FB1000-4-Q FOR 1" SERVICE LINE • MUELLER B-25008, SPECIFY SIZE <p>C. TYPE K SOFT COPPER WITH NO JOINTS</p> <p>D. 5/8"x3/4" OR 1" METER SETTER</p> <ul style="list-style-type: none"> • 3/4" = FORD VBH92-15W-4M-33ZAQ • 3/4" = MUELLER B-24104R2EFF1515 • 1" = MUELLER B-241042G1515 • 1" = FORD VBH94-15W-4M-44ZAQ | <p>E. PLASTIC CAP</p> <p>F. PVC JUMPER: DRILL - 1/4" HOLES</p> <ul style="list-style-type: none"> • 3/4" SETTER - 7 1/2" x 1" THRD PIPE. • 1" SETTER - 10 3/4" x 1 1/4" THRD PIPE. <p>G. METER:</p> <ul style="list-style-type: none"> • SENSUS 3/4" i-PERL, 7.5" LL, CCF • SENSUS 1" i-PERL, 10.5" LL, CCF <p>H. METER BOXES WITHIN 5' OF EACH OTHER MUST BE CONNECTED TOGETHER AND INDIVIDUALLY WITH 2" PVC CONDUIT SCHEDULE 40 WITH ENDS TAPED CLOSED BETWEEN BOXES.</p> <p>I. 2"x4"x8" BRICKS PLACED UNDER EACH CORNER ON COMPACTED (FIRM) SUBGRADE.</p> <p>J. METER BOX:
DFW1324CNP4-18 BODY
DFW1324SL-4MA2 LID</p> |
|---|--|

NOTES:

- SERVICE LINE MUST BE INSTALLED PERPENDICULAR TO THE WATER MAIN. BACKFILL WITH 5/8" MINUS TO 1' OVER PIPE. COMPACT TO 95% MAX. DRY DENSITY PER ASTM D-1557.
- SERVICE SADDLES ARE REQUIRED ON ALL PIPE EXCEPT CLASS 52 OR THICKER DUCTILE IRON. THE CORP. STOP MAY BE TAPPED DIRECTLY INTO CLASS 52 OR THICKER DUCTILE IRON PIPE FOR 3/4" AND 1" TAPS. COMPACT TO 95% MAX DRY DENSITY PER ASTM D-1557.
- SET BOX AT GRADE AND LEVEL WITH GRADE - PROVIDE POSITIVE DRAINAGE AWAY FROM BOX.
- DOUBLE OR MULTIPLE SERVICES MUST BE NO MORE THAN 2 FEET APART - 6" IN SIDEWALKS (WHERE APPROVED). FOR 3/4" DOUBLE METERS USE "Y" FITTING - MUELLER H-15343 3/4" x 1" OR FORD Y44-2430Q. FOR 1" DOUBLE METERS USE "Y" FITTING - MUELLER H-15343 1"x1-1/2" OR FORD Y44-264 PACK JOINT.
- METER LOCATIONS SHALL BE APPROVED BY CITY. AVOID VEHICLE TRAVEL AREAS WHENEVER POSSIBLE.
- SERVICES SHALL BE INSTALLED BY THE CITY ON CITY OWNED MAINS.
- SERVICES SHALL NOT BE TAPPED OFF HYDRANT OR FIRE SPRINKLER SYSTEM BRANCHES.
- FILL METER BOX TO TOP WITH UN-COMPACTED CEDAR SHAVINGS.
- CITY SHALL INSTALL METER UNLESS OTHERWISE APPROVED.
- CONTRACTOR SHALL CONNECT PIPING FROM HOUSE TO METER PRIOR TO RADIO READ METER INSTALLATION.
- ALL MULTIPLE METER BOXES THREE OR MORE MUST BE INDIVIDUALLY TAGGED. SECURE WITH WIRE-TIE TO LOWER LOCKING EAR OF SETTER. TAG MUST BE STAMPED OR ENGRAVED WITH HOUSE NUMBER. FONT SIZE MINIMUM 1/2".

REVISION: FEBRUARY 2018

NO SCALE



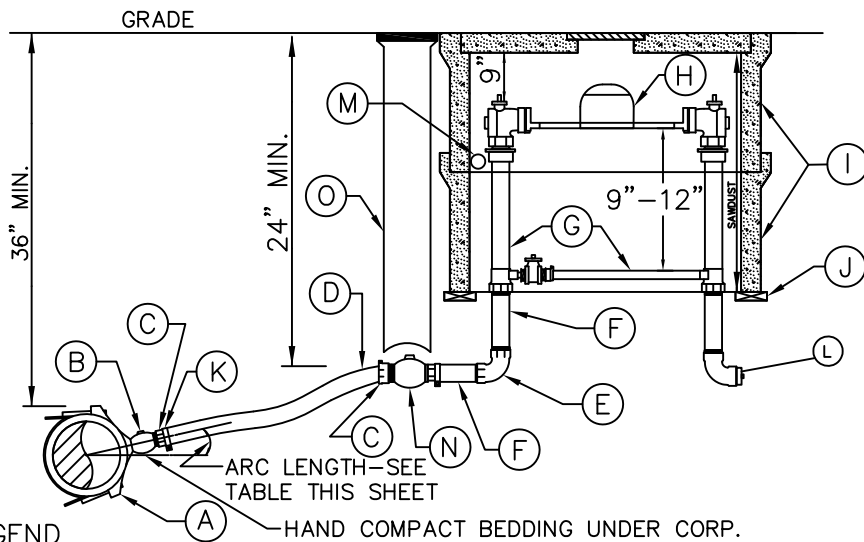
CITY OF
ISSAQUAH
WASHINGTON

PUBLIC WORKS DEPARTMENT - WATER

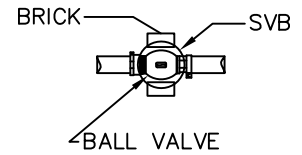


3/4" AND 1" WATER METER SERVICE

STANDARD
DETAIL NO.
W-09



ARC LENGTH TABLE				
	MEASURED DISTANCE			
PIPE SIZE	8"	12"	16"	24"
ARC LENGTH	2"	3"	4"	6"



LEGEND
A. HAND COMPACT BEDDING UNDER CORP.

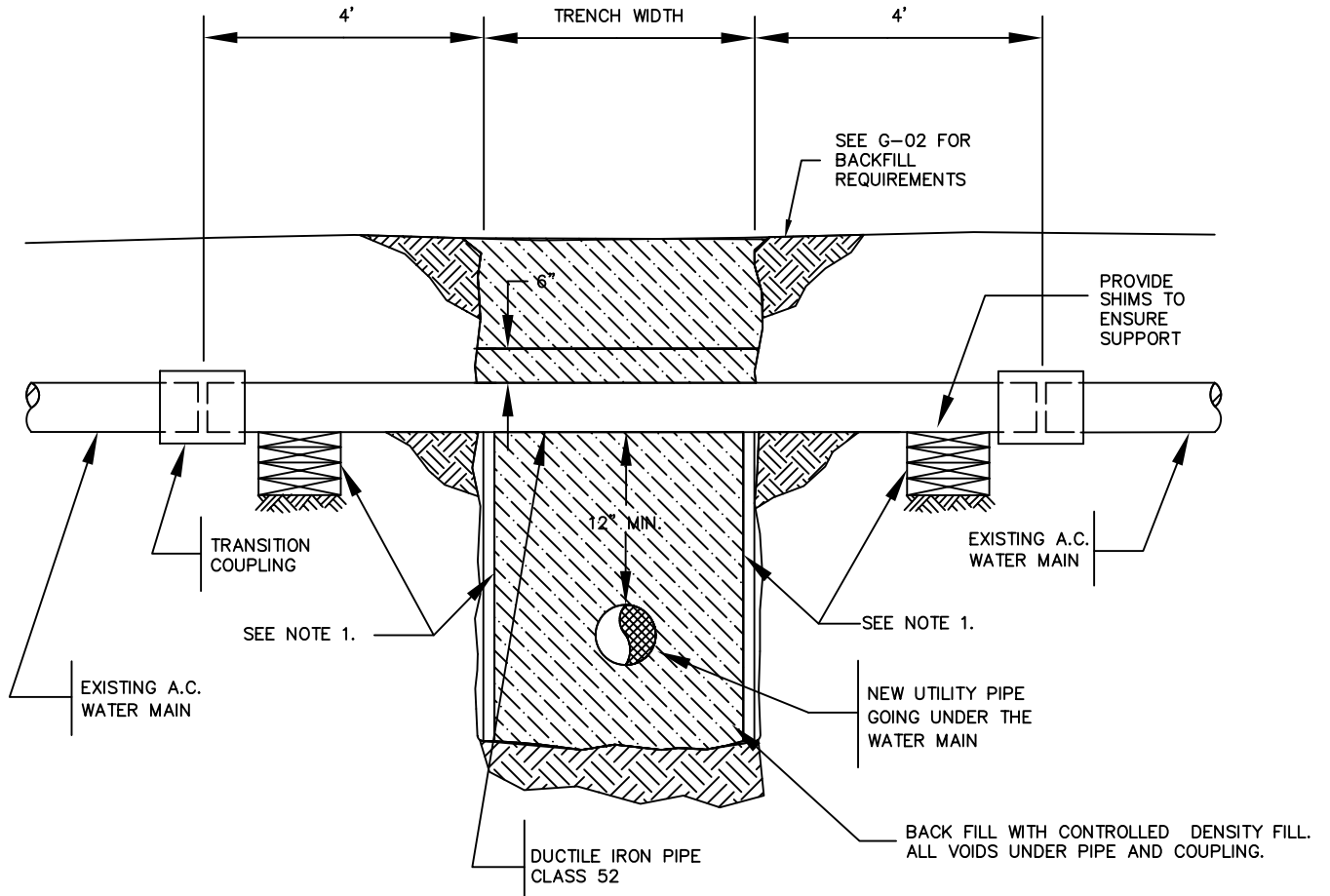
- A. ROMAC SADDLE
STAINLESS STEEL (DOUBLE STRAP) SERVICE SADDLE WITH CC TAP. DOUBLE STRAP FOR 12" AND LARGER PIPES.
* ROMAC 202-S FOR DUCTILE OR EQUAL
- B. CORPORATION STOP: MALE IRON PIPE BY MALE IRON PIPE THREAD OUTLET
* FORD FB500-6 FOR 1-1/2"
* FORD FB500-7 FOR 2"
* MUELLER B-2969, SPECIFY SIZE
- C. COUPLING, FEMALE IRON PIPE THREAD BY COMPRESSION FITTING FOR COPPER TUBING.
* FORD C84-66 FOR 1-1/2"
* FORD C84-77-Q FOR 2"
* MUELLER H-15451, SPECIFY SIZE
- D. UNDER 40' USE TYPE K COPPER OR SCHEDULE 40 BRASS. OVER 40' USE POLYETHYLENE WITH TRACER WIRE. SEE STANDARD DETAIL G-02 FOR TRACER WIRE. SERVICE SHALL BE MADE WITH NO JOINTS.
- E. 90° ELBOW, BRASS, FEMALE IRON PIPE BY FEMALE IRON PIPE.
- F. NIPPLE, BRASS, MIP x MIP, 12" LONG OR AS REQUIRED
- G. BRASS OR COPPER METER SETTER WITH BYPASS, CHECK VALVE, BALL VALVE WITH PADLOCK WINGS ON INLET, AND BYPASS.
VERTICAL INLET AND OUTLET:
* FORD VBH86-12B-11-66 FOR 1-1/2"
* FORD VBH87-12B-11-77 FOR 2"
* MUELLER B-2427-2, SPECIFY SIZE
FACE TO FACE DIMENSION: 1 1/2" SETTER = 13 3/8"
FACE TO FACE DIMENSION: 2" SETTER = 17 3/8"
- H. METER: SENSUS OMNI C2 WITH TOUCH READ
* 1-1/2" SENSUS OMNI C2 WITH 13" LAY LENGTH CCF
* 2" SENSUS OMNI C2 DRS WITH 17" LAY LENGTH CCF
- I. METER BOX W/1-3/4" HOLE IN LID
1-3/4" HOLE IN LID, 2 HOLES IN LID FOR SINGLE INSTALLATION.
FOR LOCATIONS W/MORE THAN 1 METER, ONLY 1 LID NEEDS 2 HOLES.
* TWO CONCRETE BOXES STACKED (FOGTITE # 2 OR EQUAL).
* NONTRAVELED AREAS AND SIDEWALKS USE FOGTITE # 2 OR EQUAL WITH CONCRETE LID WITH ALUM. INSPECTION PLATE.
* VEHICULAR TRAFFIC AREAS USE FOGTITE # 2 FOR THE BOTTOM AND A STEEL J-11 TYPE 2 FOR THE TOP BOX WITH STEEL LID # 105.
- J. BRICKS - 2"x4"x8" PLACED ON COMPACTED (FIRM) SUBGRADE.
- K. INSTALL SWING JOINT FOR BRASS PIPE CONNECTION (3 STREET 90°S) BRASS.
- L. BRASS PLUG
- M. METER BOXES WITHIN 5' OF EACH OTHER MUST BE CONNECTED TOGETHER AND INDIVIDUALLY WITH 2" PVC CONDUIT SCHEDULE 40 WITH ENDS TAPED CLOSED BETWEEN BOXES.
BALL VALVE
- N. * FORD BALL VALVE B11-666 FOR 1-1/2"
* FORD BALL VALVE B11-777 FOR 2"
STANDARD VALVE BOX SEE STANDARD DETAIL G-18
- O. (VALVE BOX INSTALLATION).

NOTES

1. SERVICE LINE MUST BE INSTALLED PERPENDICULAR TO THE WATER MAIN. BACKFILL WITH 5/8" MINUS TO 1' OVER PIPE COMPACT TO 95% MAX. DRY DENSITY PER ASTM-1557.
2. DOUBLE OR MULTIPLE SERVICES MUST BE NO MORE THAN 2' APART-6" IN SIDEWALKS (WHERE APPROVED).
3. SERVICES SHALL BE INSTALLED BY THE CITY ON CITY OWNED MAINS.
4. METER LOCATIONS SHALL BE APPROVED BY CITY. AVOID VEHICLE TRAVEL AREAS.
5. SERVICES SHALL NOT BE TAPPED OFF HYDRANT OR FIRE SPRINKLER SYSTEM BRANCHES.
6. CITY SHALL INSTALL METER UNLESS OTHERWISE APPROVED.
7. CONTRACTOR SHALL CONNECT SETTER TO METER PRIOR TO RADIO READ METER INSTALLATION.
8. SET BOX AT GRADE AND LEVEL WITH GRADE-PROVIDE POSITIVE DRAINAGE FROM BOX.
9. FILL METER BOX TO TOP WITH UNCOMPACTED CEDAR SHAVINGS.
10. COUPLINGS FOR POLYETHYLENE PIPE REQUIRE STIFFENERS INSIDE PIPE.

REVISION: MAY. 12, 2015

NO SCALE

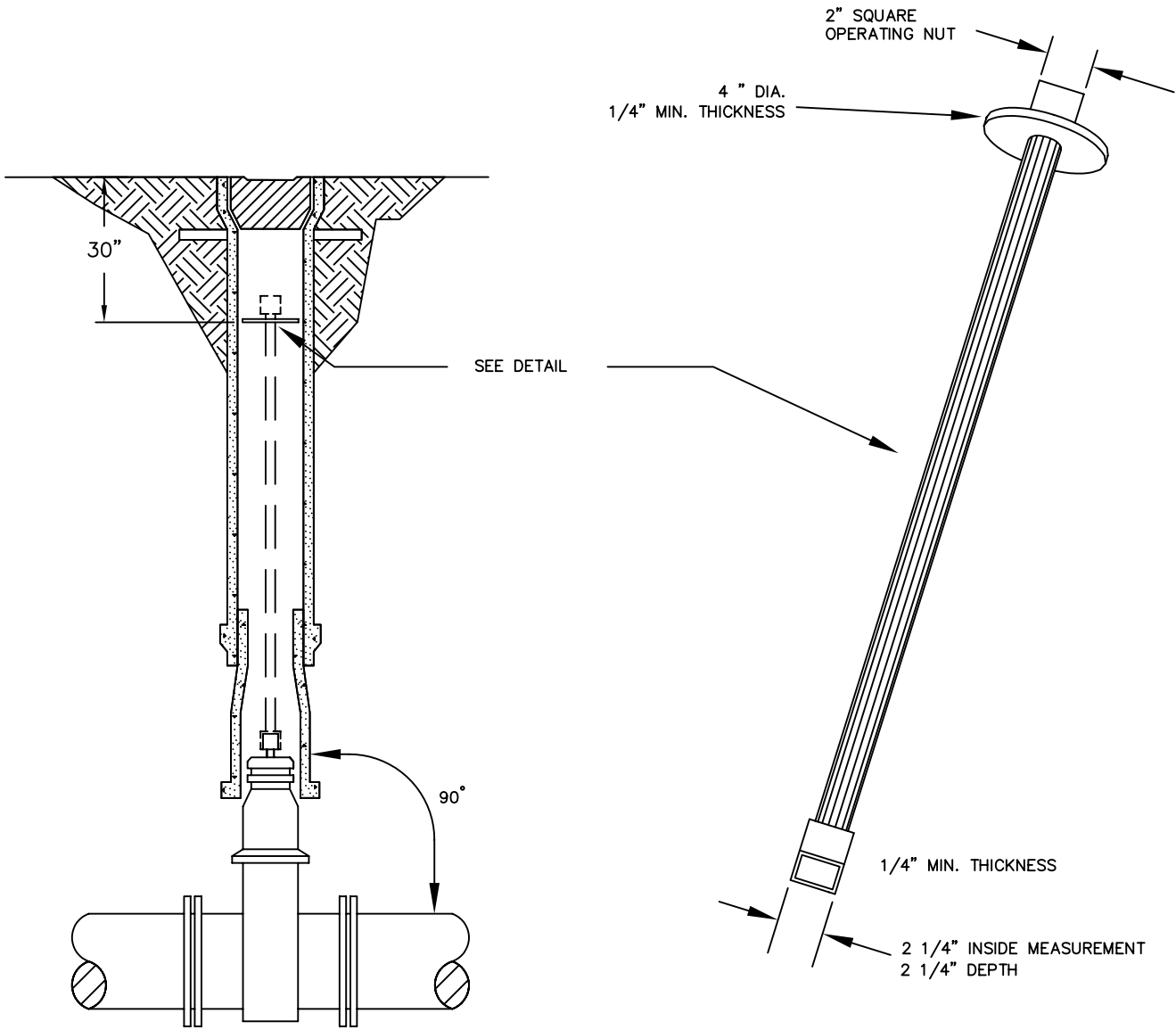


NOTES:

1. D.I. PIPE SHALL REST ON FIRM BEARING EARTH:
SHORE TRENCH WALL UNDER WATER MAIN AS SHOWN. SUPPORT PIPE WITH PATIO BLOCKS (8"x16"x 2"). STACK BLOCKS AS REQUIRED TO REST ON FIRM BEARING SOIL.
2. WRAP DUCTILE IRON PIPE AND TRANSITION COUPLINGS WITH 8 MIL POLYETHYLENE CONFORMING TO AWWA C-105 AS REQUIRED BY PUBLIC WORKS.
3. THE CONTRACTOR IS REQUIRED TO FOLLOW ALL REQUIREMENTS FOR ASBESTOS WATER MAIN WORK PRESCRIBED IN WAC 296-62.
4. ALL A.C. PIPE AND CONTAMINATED MATERIALS AND CLOTHING SHALL BE REMOVED FROM THE SITE AND DISPOSED OF IN ACCORDANCE WITH STATE REGULATIONS.

REVISION:

NO SCALE



VALVE OPERATING NUT EXTENSION

EXTENSIONS ARE REQUIRED WHEN THE VALVE NUT IS MORE THAN FOUR (4) FEET BELOW FINISHED GRADE. EXTENSIONS ARE TO BE A MINIMUM OF TWO (2) FEET LONG. ONLY ONE EXTENSION TO BE USED PER VALVE.

NOTES:

1. ALL EXTENSIONS ARE TO BE MADE OF STEEL, SIZED AS NOTED, AND HOT DIPPED GALVANIZED.
2. EXTENSION SHALL TURN FREELY WITHOUT BINDING.

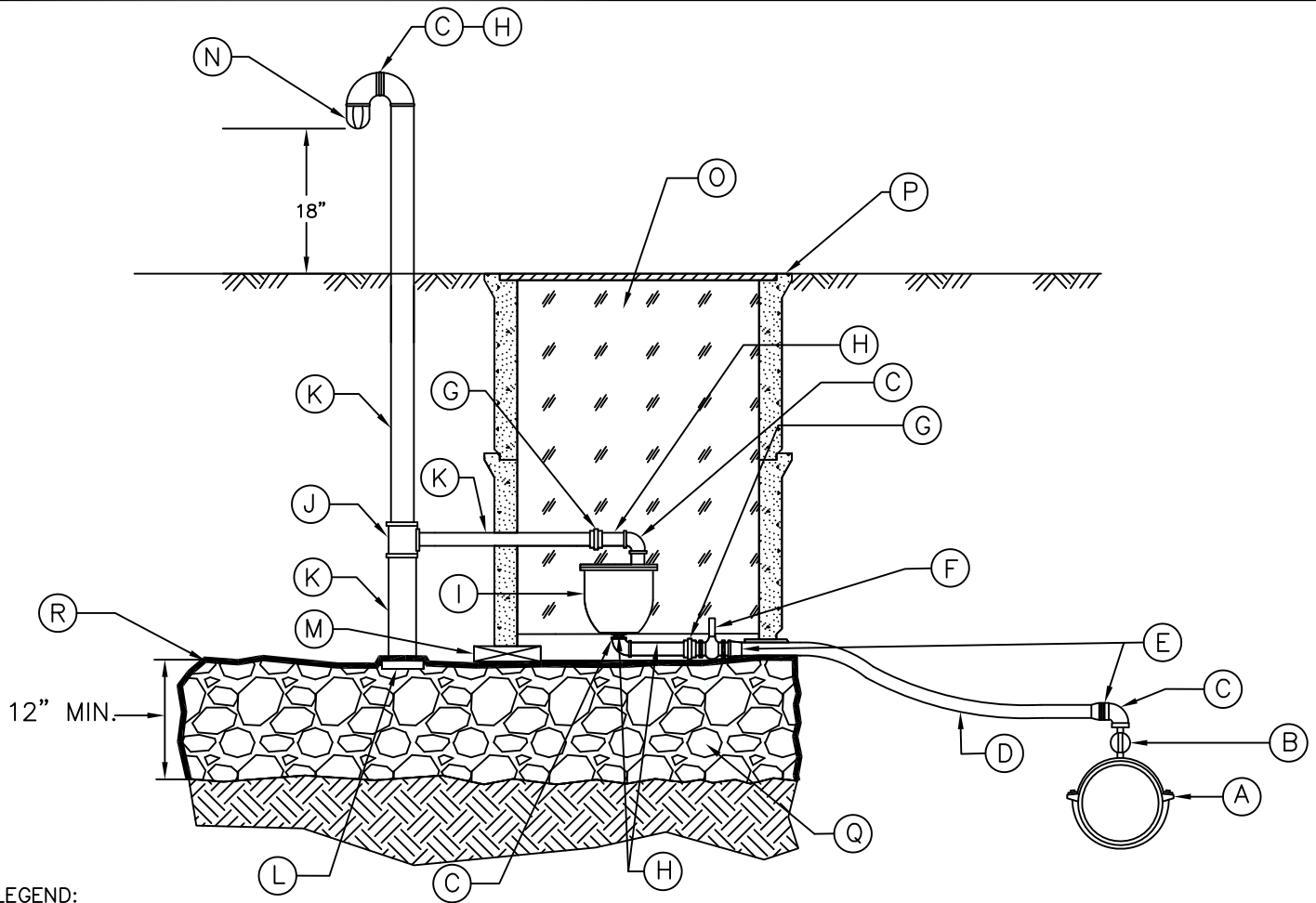
REVISION:

NO SCALE



VALVE OPERATING EXTENSION

**STANDARD
DETAIL NO.
W-14**



LEGEND:

- A. DOUBLE STRAP STAINLESS STEEL SERVICE SADDLE WITH CC TAP, ROMAC 101NS NYLON COATED FOR UP TO 12" DUCTILE & CAST OR ROMAC 202NS NYLON COATED FOR 12" AND LARGER DUCTILE & CAST.
- B. CORPORATION STOP, MALE CC THREAD INLET BY MALE IRON PIPE OUTLET. FORD OR MUELLER.
- C. 90° BRASS ELBOW FEMALE IRON PIPE BY FEMALE IRON PIPE THREADS.
- D. TYPE K SOFT COPPER WITH NO JOINTS. MAINTAIN POSITIVE SLOPE TO AIR VACUUM ASSEMBLY.
- E. COUPLING COPPER TO MALE IRON PIPE THREADS: FORD OR MUELLER COMPRESSION FITTINGS.
- F. BALL VALVE: FORD OR MUELLER.
- G. BRASS UNION, FEMALE IRON PIPE BY FEMALE IRON PIPE.
- H. NIPPLES: BRASS, MALE IRON PIPE BY MALE IRON PIPE THREADS, LENGTHS VARY.
- I. AIR & VACUUM VALVE ASSEMBLY. SEE APPROVED MATERIAL LIST.
- J. BRASS TEE, IRON PIPE THREADS.
- K. BRASS PIPE, MALE IRON PIPE THREADS.
- L. BRASS CAP WITH 1/4" DRILLED HOLE. PLACE BELOW PLASTIC SHEET.
- M. BRICKS 4-2"x4"x8" PLACED ON A COMPACTED SUBGRADE UNDER EACH CORNER.
- N. BRASS BEEHIVE STRAINER
- O. CEDAR SHAVINGS
- P. METER BOX (2 SECTIONS REQUIRED) FOGTITE NO. 2T FOR 1" AND SMALLER VALVES. VAULT REQUIRED FOR 1-1/2" AND LARGER VALVES. SEE STANDARD DETAIL G-05 (VAULTS-GENERAL FEATURES).
- Q. 7/8" WASHED ROCK
- R. GEO FABRIC- ENCLOSE WASHED ROCK ON TOP AND ALL SIDES.

NOTES:

1. ALL PIPE AND FITTINGS TO BE BRASS, DUCTILE IRON OR COPPER.
2. PIPE ABOVE GRADE TO BE PAINTED AIR VACUUM ASSEMBLY MUST BE CLEANED, SCUFFED SANDED AND PREPARED PER PAINT MANUFACTURE SPECIFICATION. PRIME WITH 1 COAT (6 MILLS) OF SHERWIN WILLIAMS PRO-CRYL ACRYLIC PRIMER (B66 W 310 643-22681) AND THEN TOP COAT WITH 1 COAT (6 MILLS) SHERWIN WILLIAMS CRYL-HPA HIGH PERFORMANCE ACRYLIC GLOSS (B66 W 377 6405-18908) HIGH GLOSS BRIGHT WHITE.
3. AIR & VACUUM RELEASE VALVE ASSEMBLY TAP MUST BE INSTALLED AT HIGHEST POINT OF WATER MAIN.
4. LOCATE AIR & VACUUM METER BOX OUTSIDE OF TRAFFIC AREAS, BEHIND CURB OR SIDEWALK.
5. REQUIRED SIZE SHALL BE DESIGNED BY THE ENGINEER.
6. GUARD POST(S) MAY BE REQUIRED PER CITY'S DIRECTION. SEE STANDARD DETAIL G-04 (TYPICAL BOLLARD PLACEMENT - SEE FIXED BOLLARDS).

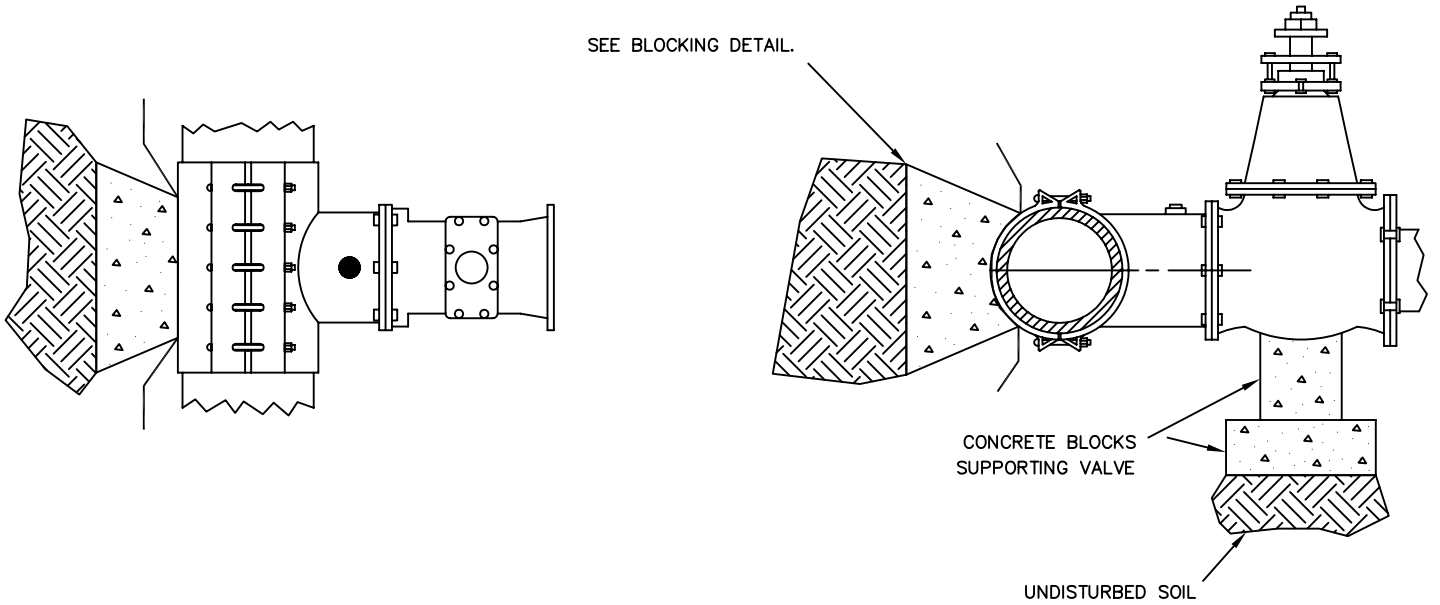
REVISION: MARCH 1, 2018

NO SCALE



AIR VACUUM RELEASE VALVE ASSEMBLY

STANDARD
DETAIL NO.
W-07



STAINLESS STEEL OR STEEL
TAPPING TEE

STAINLESS STEEL TAPPING TEE

INSTALLED ON ASBESTOS CEMENT PIPE,
CAST IRON PIPE AND DUCTILE IRON
PIPE.

STEEL TAPPING TEE

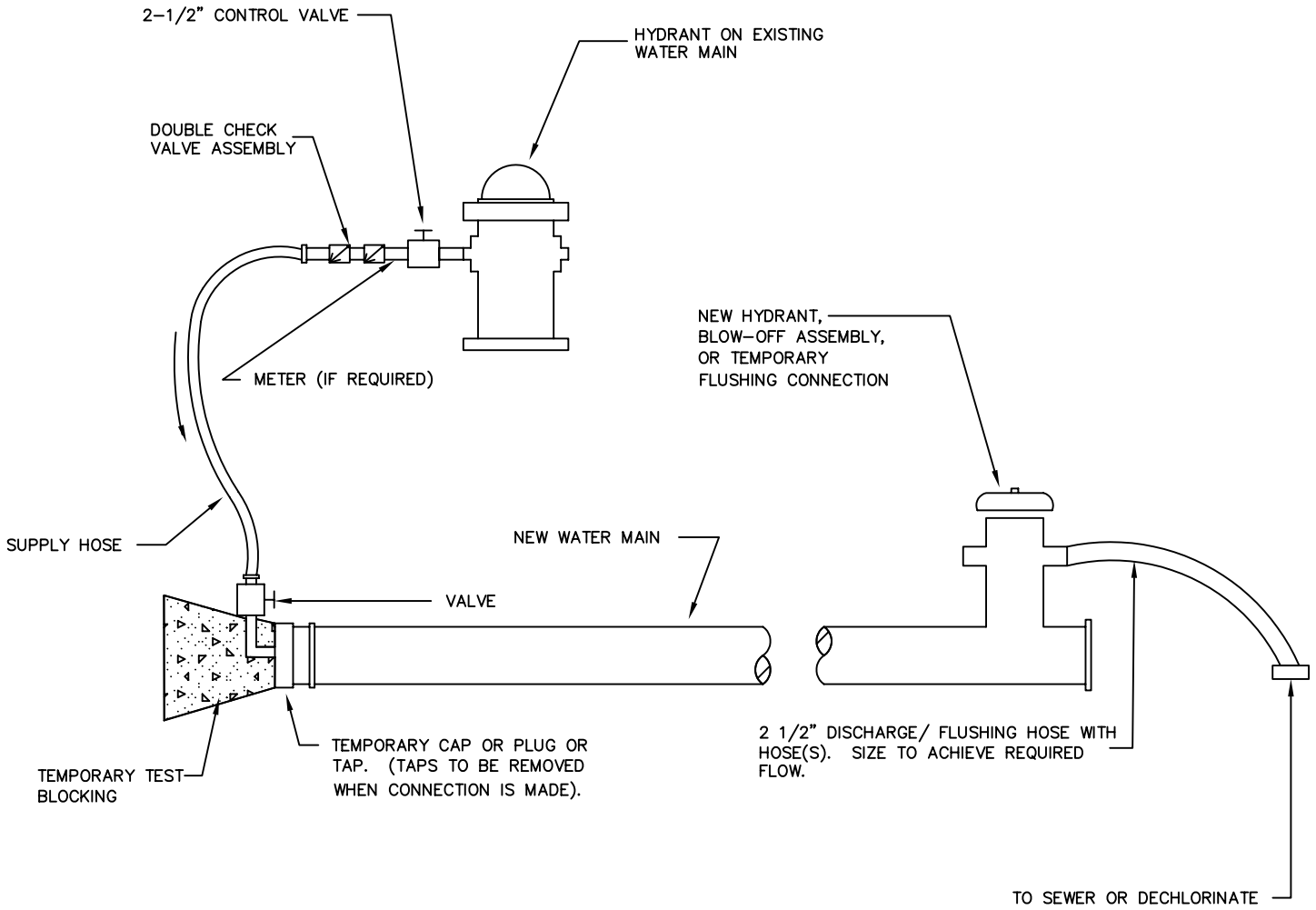
INSTALLED ON DUCTILE IRON PIPE ONLY.

NOTES:

1. STAINLESS STEEL TAPPING TEES SHALL HAVE FULL CIRCLE SEAL. BOLTS AND NUTS SHALL BE STAINLESS STEEL.
2. STEEL TAPPING TEES SHALL BE EPOXY COATED, SEE APPROVED MATERIAL LIST. BOLTS AND NUTS SHALL BE COR-TEN, OR STAINLESS STEEL - SEE APPROVED MATERIAL LIST.
3. ALL TEES AND VALVES TO BE AIR TESTED BEFORE TAP AT 120 PSI FOR 5 MINUTES.
4. NO SIZE ON SIZE TAPS ON ASBESTOS OR CAST IRON. FULL SIZE TAPS ALLOWED ON DI ONLY.
5. VALVES SHALL BE FULL OPENING RESILIENT SEAT O-RING SEALED C 509, SEE APPROVED MATERIAL LIST.

REVISION:

NO SCALE

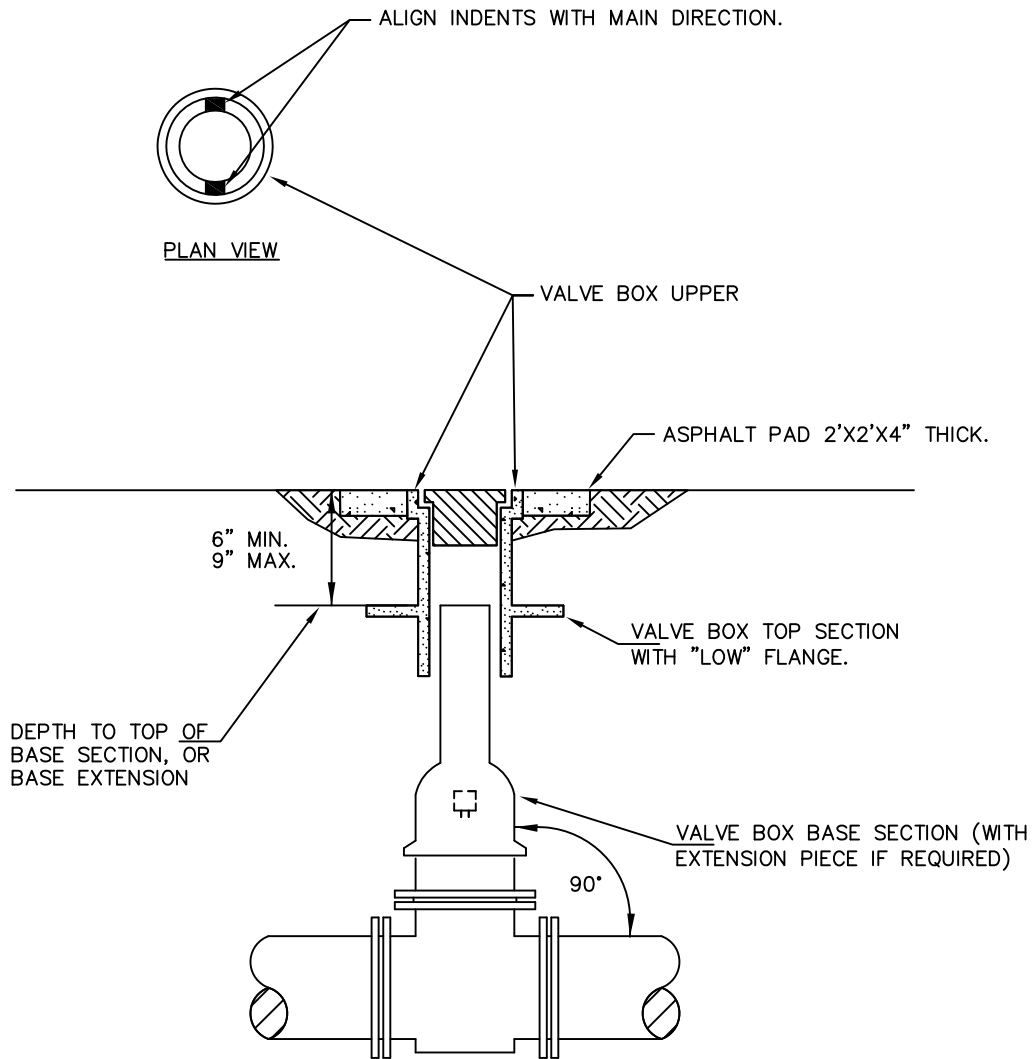


NOTES:

1. AN APPROVED BACK FLOW PREVENTION ASSEMBLY SHALL BE INSTALLED BETWEEN THE EXISTING AND NEW WATER LINES DURING DISINFECTION AND FLUSHING OF NEW WATERMAIN. (OBTAINED FROM ISSAQUAH PUBLIC WORKS).
2. THE BACK FLOW PREVENTION ASSEMBLY AND SUPPLY HOSE MUST BE DISCONNECTED DURING HYDROSTATIC PRESSURE TESTING OF THE NEW MAIN.
3. THE NEW WATER MAIN SHALL BE CONNECTED TO THE EXISTING SYSTEM ONLY AFTER NEW MAIN IS FLUSHED, DISINFECTED AND SATISFACTORY BACTERIOLOGICAL SAMPLE RESULTS ARE OBTAINED.
4. THE INTERIORS OF ALL PIPES AND FITTINGS TO BE USED IN FINAL CONNECTION MUST BE CLEANED AND SWABBED OR SPRAYED WITH A 1% AVAILABLE CHLORINE SOLUTION.
5. AFTER CHLORINE IS FLUSHED AND MAIN CONNECTION IS MADE, THE NEW LINE SHALL BE FLUSHED AT A VELOCITY OF 5 FPS. DISCHARGE SHALL BE SCREENED TO COLLECT ROCKS. FLUSHING DURATION SHALL ENSURE AT LEAST 5 CHANGES OF WATER IN THE PIPE.
6. IF FLOW OR DISCHARGE LIMITATIONS PREVENT ACHIEVING 5 FPS THEN THE PIPE SHALL BE PIGGED.
7. PROVIDE DECHLORINATION DURING FLUSHING WHERE NECESSARY.

REVISION:

NO SCALE



NOTES:

1. BOX SHALL BE PERPENDICULAR TO THE VALVE AND MAIN.
2. BOX SHALL BE CENTERED OVER VALVE NUT.
3. NO DEBRIS WILL BE ALLOWED AROUND THE VALVE NUT.
4. ALL PARTS SHALL BE CAST OR DUCTILE IRON AND COATED WITH ASPHALT VARNISH.
5. VALVE BOX AND LID SHALL BE EAST JORDAN 68/8555.
6. EXTENSIONS FOR DEEP VALVES MAY BE ACCOMPLISHED WITH CAST IRON DRAIN PIPE. BELL END OVER LOWER SECTION.

REVISION: MARCH 1, 2018

NO SCALE



CITY OF
ISSAQUAH
WASHINGTON

PUBLIC WORKS DEPARTMENT - WATER

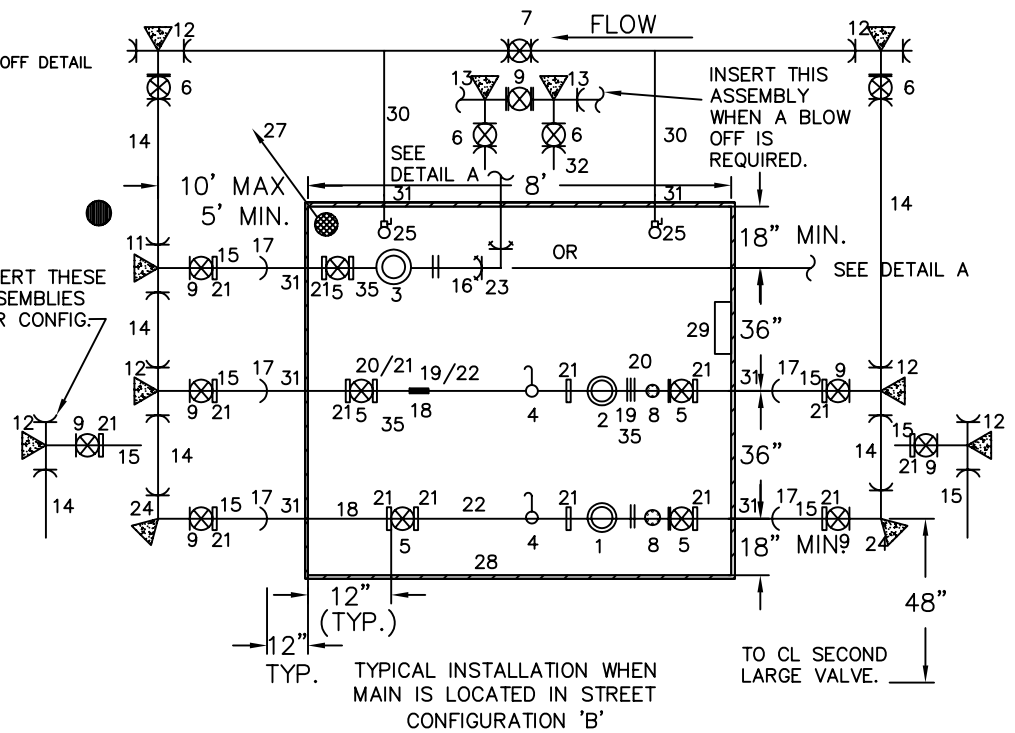
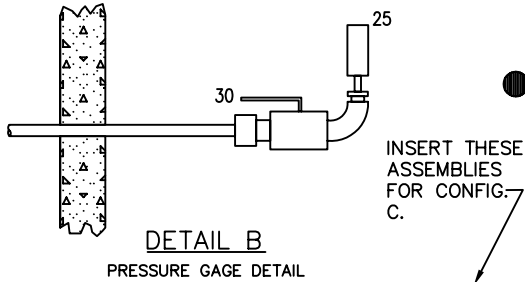
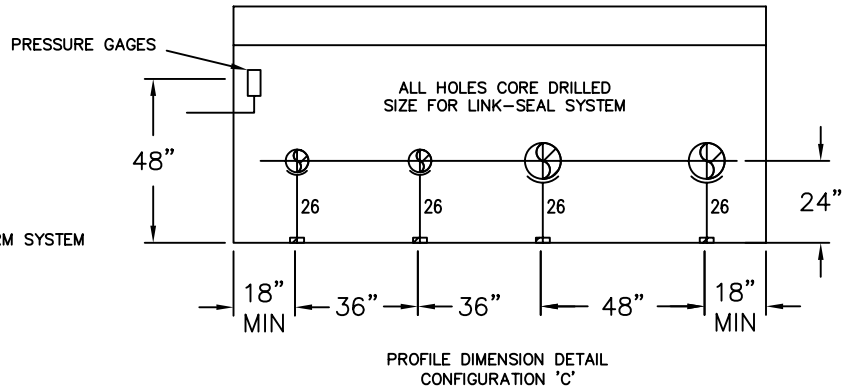
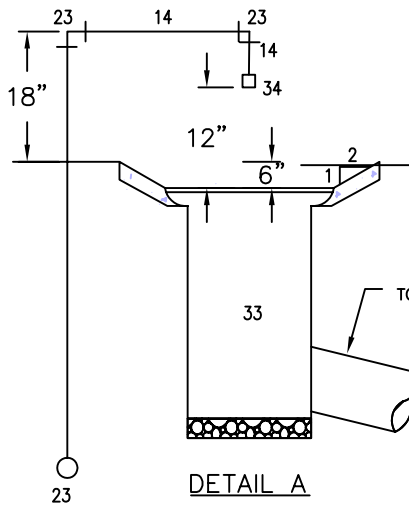


EXPIRES

VALVE BOX INSTALLATION

STANDARD
DETAIL NO.

W-18



CONFIGURATION	DESCRIPTION	USE	Vault SIZING FOR LARGE VALVES UP TO 8"
A	ONE LARGE VALVE AND ONE SMALL VALVE. INCLUDES TWO BLOW-OFF ASSEMBLIES.	1.) NORMALLY CLOSED CONNECTION BETWEEN A RESV OR PRV ZONE AND A RESV ZONE. 2.) SECONDARY PRV STATION.	8" x 6'
B	ONE LARGE VALVE, ONE SMALL VALVE AND ONE PRESSURE RELIEF VALVE.	1.) STANDARD CONFIGURATION OF A PRIMARY STATION.	8' x 10'
C	TWO LARGE VALVES, ONE SMALL VALVE AND ONE PRESSURE RELIEF VALVE.	1.) PARALLEL STATION. REQUIRED WHEN PRV STATION IS SOLE SUPPLY FOR ZONE.	8' x 14'
D	ONE LARGE VALVE, ONE SMALL VALVE, ONE PRESSURE RELIEF VALVE AND TWO BLOW-OFF ASSEMBLIES	1.) NORMALLY CLOSED CONNECTION BETWEEN A RESV OR PRV ZONE AND A PRV ZONE W/O A PRESSURE RELIEF ON THE PRIMARY STATION.	8' x 10'

REVISION:

NO SCALE

ITEM#	DESCRIPTION	QUANTITIES			
		STANDARD		PARALLEL	
		≤ 2"	≥ 3"	≤ 2"	≥ 3"
1	LARGE PRESSURE REDUCING VALVE; CLA-VAL MODEL 92G-01 BCSKC W/BRONZE TRIM, X101 AND PRESSURE SUSTAINING CONTROLS.	1	1	2	2
2	SMALL PRESSURE REDUCING VALVE; CLA-VAL MODEL 90G-01 ABSKC W/SS TRIM, X101. THREADED ON 2" AND SMALLER. FLANGED ON 3" AND LARGER.	1	1	1	1
3	PRESSURE RELIEF VALVE; CLA-VAL MODEL 50A-01 BKC W/BRONZE TRIM. SIZE FOR 30% PRESSURE GAIN.	1	1	1	1
4	AIR RELEASE VALVE - APCO MODEL 50-28 - 3/32 - 175 PSI.	2	2	3	3
5	VALVE - FLANGE X FLANGE; C509 W/HAND WHEEL OPERATORS, 4" MINIMUM	5	5	7	7
6	VALVE - FLANGE X MJ; C509 W/2" OPERATING NUT. 4 REQUIRED W/ BLOW OFF.	2 (4)	2 (4)	2 (4)	2(4)
7	VALVE - MJ X MJ ; C509 W/2" OPERATING NUT. NONE REQUIRED W/ BLOW OFF.	1 (0)	1 (0)	1 (0)	1 (0)
8	STRAINER-BASKET OR Y STRAINER W/BALL VALVE	2	2	3	3
9	VALVE - FLANGE X FLANGE; C509 W/2" OPERATING NUT	5 (6)	5 (6)	7 (8)	7 (8)
10	LEFT BLANK.				
11	TEE MJ X FLANGE, SIZE X 4" MIN.	1	1	1	1
12	TEE MJ X FLANGE.	4	4	6	6
13	TEE MJ X FLANGE X FLANGE, SIZE X 4" - ONLY REQUIRED WITH BLOW OFF.	0 (2)	0 (2)	0 (2)	0 (2)
14	SPOOL PE X PE	5 (7)	5 (7)	7 (9)	7 (9)
15	SPOOL - VICTAULIC GROOVE X TR FLEX BEAD, CUT TO FIT.	3	3	5	5
16	SPOOL - FLANGE X PE.	1	1	1	1
17	TR FLEX JOINT - RESTRAINED	3	3	5	5
18	BRASS UNION - 2" AND SMALLER ONLY	1	0	1	0
19	BRASS PIPE - THREADED 2" AND SMALLER, CUT TO FIT.	3	0	3	0
20	BLIND FLANGE X SIZE TAP.	2	0	2	0
21	COUPLING - VICTAULIC #341, 4" AND LARGER.	0	12	0	18
22	DUCTILE IRON PIPE CL 53, GROOVED FOR VICTAULIC #341 BOTH ENDS.	0	2	0	3
23	90 MJ X MJ WITH APPROVED JOINT RESTRAINT SYSTEM.	4	4	4	4
24	90 FLANGE X MJ WITH APPROVED JOINT RESTRAINT SYSTEM.	2	2	2	2
25	GAGES - LIQUID FILLED 4 1/2" SPAN INSTRUMENTS, MODEL #LFS-410 0-200PSI - MOUNT VERTICALLY AT 48".	2	2	2	2
26	PIPE STANCHION - BOLTED TO FLOOR - GRINNEL #264, NUMBER AND PLACEMENT MAY VARY. PLACE AS DIRECTED.	1	1	2	2
27	4" DUCTILE IRON DRAIN. TO DAYLIGHT OR STORM DRAIN.	1	1	1	1
28	VAULT - SIZED TO MAINTAIN SPECIFIED CLEARANCES - SEE SIZING MATRIX. SEE STANDARD DETAIL G-08.	1	1	1	1
29	LADDER - PLACE AS DIRECTED. SEE STANDARD DETAIL G-08.	1	1	1	1
30	3/4" TYPE K COPPER LINE WITH 3/4" COMPRESSION BY MIP FITTING, 3/4" BRASS BALL VALVE, 3/4" BRASS STREET ELL, 3/4" X 1/4" BUSHING, SEE DETAIL B. SEE STANDARD DETAIL W-25A FOR CONNECTION TO MAIN.	2	2	2	2
31	SEAL PENETRATION SEALING SYSTEM - SEE APPROVED MATERIAL LIST.	8	8	10	10
32	BLOW OFF ASSEMBLY - STD DETAIL W-07.	0 (2)	0 (2)	0 (2)	0 (2)
33	18" CONCRETE PIPE CATCH BASIN W/BELL UP AND BOTTOM Poured WITH CONCRETE. OLYMPIC FOUNDRY GRATE #G20. DISCHARGE PIPE SHALL BE 12".	1	1	1	1
34	DIFFUSER.	1	1	1	1
35	3" X 4" REDUCER AS REQUIRED.				
NOTE:	1. ALL JOINTS SHALL BE RESTRAINED WITH APPROVED JOINT RESTRAINT SYSTEM. SEE APPROVED MATERIAL LIST. 2. VAULT SHALL ALWAYS BE LOCATED OUT OF TRAFFIC. IN SHOULDER, TYPICALLY BEHIND SIDEWALK. 3. QUANTITIES IN () INDICATE FOR BLOW OFF ASSEMBLY ONLY. 4. ALL PIPING AND FITTINGS SHALL BE COATED WITH 2 COATS OF TNEC MEDIUM BLUE EPOXY. 5. CONTRACTOR TO VERIFY ALL QUANTITIES. QUANTITIES PROVIDED AS A GUIDELINE ONLY.				

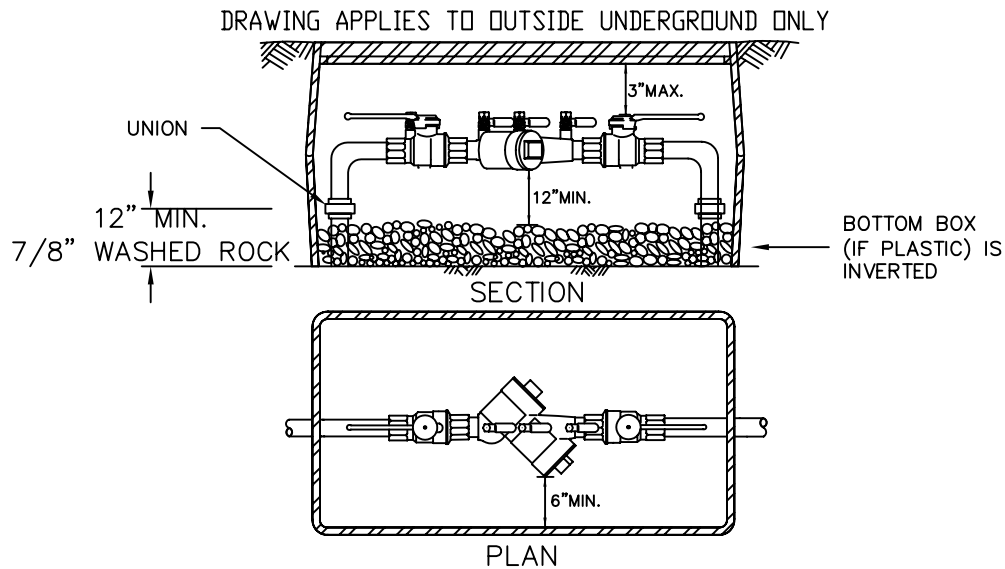
REVISION:

NO SCALE



**STANDARD PRESSURE
REDUCING STATION NOTES**

**STANDARD
DETAIL NO.
W-19B**



INSTALLATION PROCEDURES AND SPECIFICATIONS FOR DOUBLE CHECK VALVE ASSEMBLIES 2" AND SMALLER

THE DOUBLE CHECK VALVE ASSEMBLY (DCVA) CONSISTS OF TWO INTERNALLY LOADED CHECK VALVES, EITHER SPRING LOADED OR INTERNALLY WEIGHTED, TWO RESILIENT SEATED SHUTOFF VALVES, AND FOUR PROPERLY LOCATED RESILIENT SEATED TEST COCKS. THIS ASSEMBLY IS EFFECTIVE AGAINST BACKFLOW CAUSED BY BACKPRESSURE AND BACKSIPHONAGE, AND IS USED TO PROTECT THE WATER SYSTEM FROM OBJECTIONABLE SUBSTANCES, WHICH MAY CONSTITUTE A LOW HAZARD. THIS ASSEMBLY SHALL BE INSTALLED AS A UNIT AS FURNISHED BY THE MANUFACTURER IN ACCORDANCE WITH THE UNIFORM PLUMBING CODE, MANUFACTURER'S SPECIFICATIONS, AND THE GUIDELINES LISTED BELOW.

1. OBTAIN PLUMBING PERMIT FROM THE PERMIT CENTER.
2. THE DCVA MUST BE A WASHINGTON STATE APPROVED DEVICE.*
3. PROVIDE ADEQUATE CLEARANCE FOR TESTING AND REPAIRS:
 - A. THERE MUST BE AT LEAST 12" CLEARANCE FROM BOTTOM OF DEVICE TO GROUND, BUT NOT MORE THAN 60" IN HEIGHT.
 - B. THERE MUST BE AT LEAST 6" CLEARANCE ON EITHER SIDE OF DEVICE.
 - C. THERE MUST BE AT LEAST 12" CLEARANCE FROM END OF TEST COCKS TO WALL/STRUCTURE.
4. SIZE DCVA HYDRAULICALLY TO AVOID EXCESSIVE PRESSURE LOSS. (SEE MANUFACTURER'S SPECIFICATIONS).
5. INSTALL TWO UNIONS, ONE ON EITHER SIDE OF RESILIENT SEATED SHUTOFF VALVES.
6. INSTALL DCVA IN THE HORIZONTAL POSITION UNLESS PRIOR APPROVAL IS GAINED FROM ISSAQUAH PUBLIC WORKS OPERATIONS DEPARTMENT.
7. INSTALL PLUGS IN TEST COCKS.
8. THERE WILL BE NO DCVA INSTALLATIONS IN AREAS ACCESSIBLE TO VEHICLE TRAFFIC UNLESS PRIOR APPROVAL IS GAINED FROM ISSAQUAH PUBLIC WORKS OPERATIONS DEPARTMENT.
9. PROVIDE ADEQUATE FREEZE PROTECTION.
10. THE USE OF GALVANIZED WATER FITTINGS AND PIPING IS PROHIBITED. USE COPPER, BRASS OR PLASTIC FITTINGS AND/OR PIPING.
11. ONCE DEVICE IS INSTALLED:
 - A. HAVE THE DEVICE TESTED BY A STATE CERTIFIED BACKFLOW ASSEMBLY TESTER OF YOUR CHOOSING.*
 - B. HAVE THE DEVICE INSPECTED BY ISSAQUAH PUBLIC WORKS OPERATIONS DEPARTMENT.
12. THIS DEVICE WILL REQUIRE AN ANNUAL TEST TO ASSURE ITS PROPER FUNCTION IN PREVENTING WATER BACKFLOW. THE ANNUAL TEST IS TO BE PERFORMED BY A WASHINGTON STATE CERTIFIED BACKFLOW ASSEMBLY TESTER. THE CITY OF ISSAQUAH OPERATIONS DEPARTMENT, WATER QUALITY SECTION WILL SEND THE NECESSARY FORM(S) AS THE DEVICE COMES DUE.

DCVA'S INSTALLED BELOW GROUND LEVEL MUST ALSO COMPLY WITH THE FOLLOWING

13. PROVIDE ADEQUATE SIZED BOXES FOR TESTING AND REPAIRS:
 - A. FOR 3/4" & 1" DEVICES, INSTALL TWO "JUMBO" SIZED IRRIGATION BOXES: (TOP = 12 3/4"X18 3/4"; BOTTOM = 24"X 18"X12" HIGH). LARGER BOXES MAY BE USED. INSTALL BOXES SUCH THAT THE BOTTOM BOX IS INVERTED (UPSIDE DOWN). IF DEVICE IS INSTALLED IN A CONCRETE OR PAVED AREA, THEY MUST BE REINFORCED CONCRETE BOXES OF SAME SIZE OR LARGER WITH INSPECTION LID.
 - B. FOR 1 1/2" & 2" DEVICES, INSTALL TWO "FOG-TITE #2" REINFORCED CONCRETE BOXES WITH INSPECTION LID OR OTHER COMPARABLE CONCRETE BOX OF EQUAL OR GREATER SIZE.
14. INSTALL A MINIMUM OF 12" OF DRAIN ROCK (WASHED ROCK), 7/8" SIZE, BELOW DEVICE, STILL ALLOWING 12" CLEARANCE FROM DEVICE BOTTOM TO ROCK.
15. DRAIN TO DAYLIGHT ALSO IF STANDING WATER INSIDE BOXES IS EVIDENT.
16. TEST COCKS MUST FACE UPWARD AND WITHIN 6" FROM END OF TEST COCKS TO BOTTOM OF LID.
17. MAINTAIN ALL OTHER CLEARANCES AS STATED ABOVE.

* THIS ITEM/INFORMATION MAY BE OBTAINED FROM THE CITY OF ISSAQUAH PERMIT CENTER OR PUBLIC WORKS OPERATIONS DEPARTMENT, WATER QUALITY SECTION.

NOTES:

1. INSTALL ACCORDING TO MANUFACTURER'S SPECIFICATIONS.
2. ALL INSTALLATIONS MUST MEET MINIMUM STANDARDS OF THE UNIFORM PLUMBING CODE.
3. ASSEMBLY REQUIRES TESTING AND CERTIFICATION PRIOR TO USE, AND ANNUALLY THEREAFTER. FOR INFORMATION CONTACT WATER QUALITY SECTION.

REVISION:

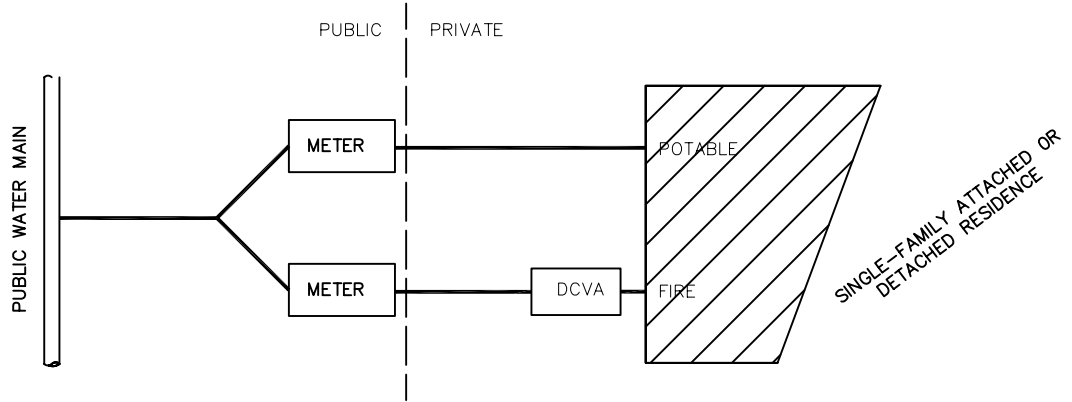
NO SCALE



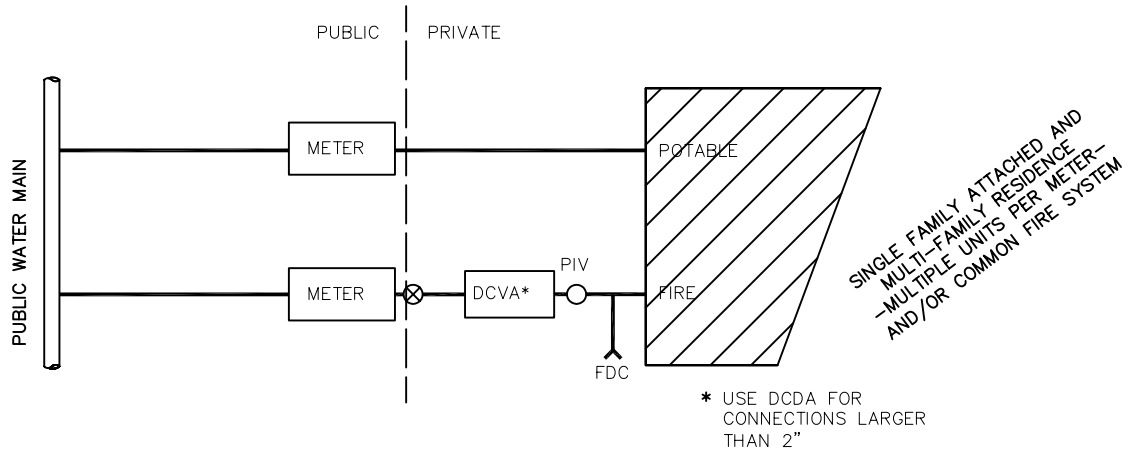
**1/2" TO 2" DOUBLE CHECK VALVE
ASSEMBLY(OUTSIDE
INSTALLATION)**

**STANDARD
DETAIL NO.
W-20**

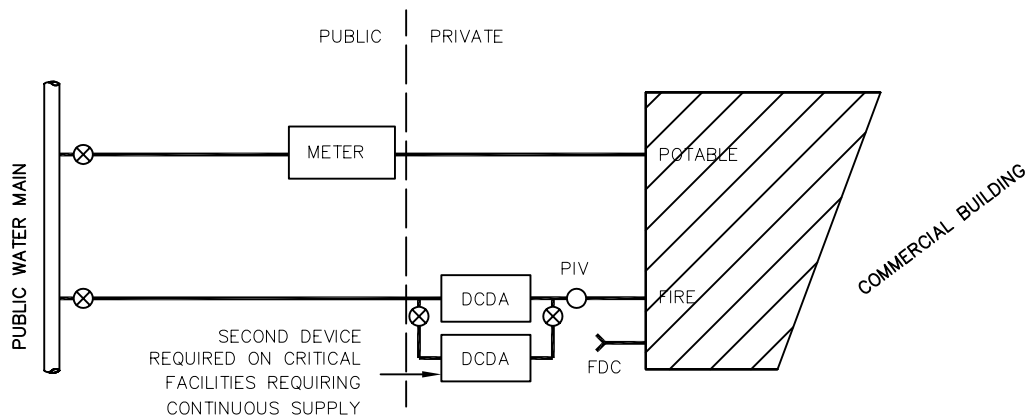
A



B



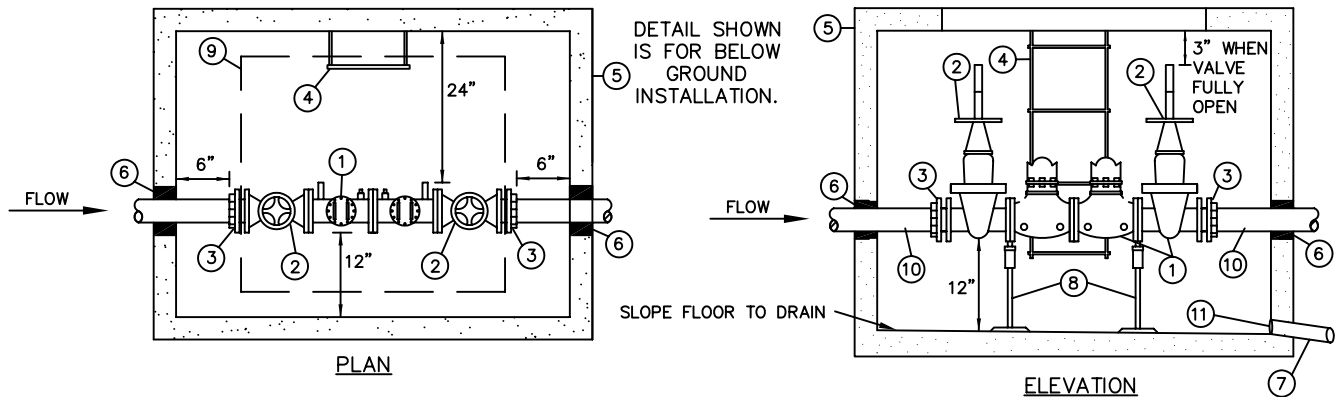
C



REVISION:

ALLOWABLE CONNECTION OPTIONS

NO SCALE



- ① STATE APPROVED DOUBLE CHECK VALVE ASSEMBLY, COMPLETE WITH (2) RESILIENT SEATED O.S.&Y. VALVES AND (4) RESILIENT SEATED TEST COCKS.*
- ② EACH VALVE SHALL BE MARKED WITH MODEL NUMBER WITH DESIGNATION OF RESILIENT SEAT: SUCH AS "RS" OR "R", WHICH MUST BE CAST, MOLDED, OR EQUIVALENT POLYMERIZED COATING.
- ③ UNI-FLANGED WITH SETSCREWS.
- ④ ONE GALVANIZED STEEL LADDER TO BE SECURED TO VAULT.
- ⑤ CONCRETE VAULT WITH A MINIMUM OF 2. 3'X3' DIAMOND PLATE DOORS RATED FOR H2O LOADING, MARKED "WATER". VAULT SHALL BE EQUAL TO UTILITY VAULT CO. MODELS.
- ⑥ WATER TIGHT GROUT. RESTRAIN INLET/OUTLET PIPE WITH WELDED FLANGE OR ANCHOR BLOCKS.
- ⑦ DRAIN, SLOPE TO DAYLIGHT, 4" MINIMUM DIAMETER.
- ⑧ TWO ADJUSTABLE PIPE STANCHIONS, BOLTED TO FLOOR.
- ⑨ ACCESS TO BE CENTERED OVER ASSEMBLY.
- ⑩ CL 52. D.I.
- ⑪ INSTALL WIRE MESH RODENT SCREEN OVER DRAIN OUTLET.

NOTES:

1. ASSEMBLY TO BE MAINTAINED BY OWNER AND ANNUAL CERTIFICATION REQUIRED.
2. WATERLINE SHALL NOT BE PUT INTO SERVICE UNTIL THE BACKFLOW PREVENTION ASSEMBLY IS APPROVED BY THE CITY OF ISSAQUAH WATER QUALITY INSPECTOR
3. VALVE ASSEMBLY TO BE CENTERED IN VALUT.
4. TEE AND GATE VALVE REQUIRED ON MAIN.
5. ALL CLEARANCES SHOWN ARE MINIMUM.
6. VAULTS SHALL NOT BE INSTALLED IN AREAS WITH VEHICULAR TRAFFIC.
7. THIS DEVICE/SPECIFICATION IS NOT INTENDED TO BE USED FOR A FIRE SUPPRESSION SYSTEM.

INSTALLATION PROCEDURES AND SPECIFICATIONS FOR DOUBLE CHECK VALVE ASSEMBLIES 2 1/2" AND LARGER

THE DOUBLE CHECK VALVE ASSEMBLY (DCVA) CONSISTS OF TWO INTERNALLY LOADED CHECK VALVES, EITHER SPRING LOADED OR INTERNALLY WEIGHTED, TWO RESILIENT SEATED GATE VALVES, AND FOUR PROPERLY LOCATED RESILIENT SEATED TEST COCKS. THIS ASSEMBLY IS EFFECTIVE AGAINST BACKFLOW CAUSED BY BACKPRESSURE AND BACKSIPHONAGE, AND IS USED TO PROTECT THE WATER SYSTEM FROM OBJECTIONABLE SUBSTANCES WHICH MAY CONSTITUTE A LOW HAZARD. THIS ASSEMBLY SHALL BE INSTALLED AS A UNIT AS FURNISHED BY THE MANUFACTURER IN ACCORDANCE WITH THE UNIFORM PLUMBING CODE, MANUFACTURER'S SPECIFICATIONS, AND THE GUIDELINES LISTED BELOW.

1. OBTAIN PLUMBING PERMIT FROM PERMIT CENTER.
2. THE DCVA SHALL BE NO HIGHER THAN 60" FROM FLOOR OR GROUND TO HIGHEST POINT OF DEVICE.
3. SIZE DCVA HYDRAULICALLY TO AVOID EXCESSIVE PRESSURE LOSS. (SEE MANUFACTURER'S SPECIFICATION).
4. INSTALL DCVA IN THE HORIZONTAL POSITION.
5. INSTALL PLUGS IN TEST COCKS.
6. IF INSTALLED OUTDOORS AND ABOVE GROUND, ADEQUATE FREEZE PROTECTION MUST BE PROVIDED.
7. STANCHIONS SHALL BE INSTALLED TO PREVENT FLANGE DAMAGE.
8. THERE WILL BE NO DCVA INSTALLATIONS IN AREAS ACCESSIBLE TO VEHICLE TRAFFIC UNLESS PRIOR APPROVAL IS GAINED FROM ISSAQUAH PUBLIC WORKS OPERATIONS DEPARTMENT.
9. THE USE OF GALVANIZED WATER FITTINGS AND PIPING IS PROHIBITED.
10. ONCE DEVICE IS INSTALLED:
 - A. HAVE THE DEVICE TESTED BY A STATE CERTIFIED BACKFLOW ASSEMBLY TESTER.*
 - B. HAVE THE DEVICE INSPECTED BY ISSAQUAH PUBLIC WORKS O&M DEPARTMENT.
11. ALL OUTSIDE, UNDERGROUND DCVA INSTALLATIONS MUST ALSO COMPLY WITH VAULT SPECIFICATIONS.
12. ALL DCVA'S INSTALLED FOR FIRE PROTECTION MUST HAVE FACTORY INSTALLED BYPASS FEATURE (TYPICALLY 3/4") TO INCLUDE AN APPROVED DCVA AND METER. SEE W-09
13. THIS DEVICE WILL REQUIRE AN ANNUAL TEST TO ASSURE IT'S PROPER FUNCTION IN PREVENTING WATER BACKFLOW. THE ANNUAL TEST IS TO BE PERFORMED BY A WASHINGTON STATE CERTIFIED BACKFLOW ASSEMBLY TESTER. THE CITY OF ISSAQUAH OPERATIONS DEPARTMENT, WATER QUALITY SECTION WILL SEND THE NECESSARY FORMS) AS THE DEVICE COMES DUE.

* THIS ITEM/INFORMATION MAY BE OBTAINED FROM THE CITY OF ISSAQUAH PERMIT CENTER OR PUBLIC WORKS OPERATIONS DEPARTMENT, WATER QUALITY SECTION.

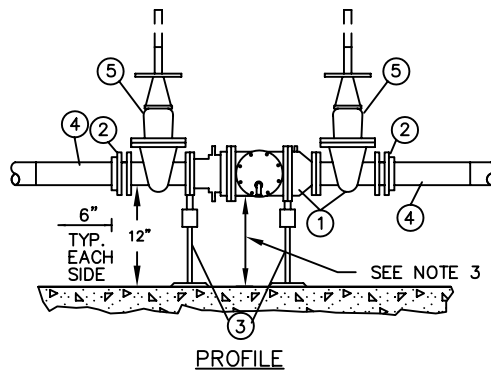
REVISION:

NO SCALE



2 1/2" TO 10" DOUBLE CHECK VALVE ASSEMBLY

**STANDARD
DETAIL NO.
W-22**



- ① STATE APPROVED REDUCED PRESSURE PRINCIPLE BACKFLOW ASSEMBLY, COMPLETE WITH (2) RESILIENT SEATED O.S.&Y. GATE VALVES AND (4) RESILIENT SEATED TEST COCKS. *SEE NOTES.
- ② RESTRAINED FITTINGS
- ③ TWO ADJUSTABLE PIPE STANCHIONS, BOLTED TO FLOOR.
- ④ CL. 52 D.I.
- ⑤ EACH VALVE SHALL BE MARKED WITH MODEL NUMBER WITH DESIGNATION OF RESILIENT SEAT: SUCH AS "RS" OR "R", WHICH MUST BE CAST, MOLDED, OR AFFIXED ONTO THE BODY OR BONNET OF THE VALVE. ALL FERROUS BODIED VALVES SHALL BE COATED WITH A MINIMUM OF 4MLS. OF EPOXY OR EQUIVALENT POLYMERIZED COATING.

NOTES:

- 1. IF INSTALLED OUTDOORS, DRAIN MUST BE INSTALLED ABOVE MAXIMUM FLOOD LEVEL, AND BE ABLE TO HANDLE THE VOLUME OF WATER THAT CAN BE DISCHARGED FROM THE RELIEF VALVE PORT.
- 2. WHEN THE REDUCED PRESSURE ASSEMBLY IS LOCATED INSIDE A BUILDING A SIZED DRAIN LINE SHALL BE PROVIDED FOR RELIEF PORT. THERE MUST BE AN APPROVED AIR GAP BETWEEN THE RELIEF PORT AND DRAIN.
- 3. ASSEMBLY TO BE MAINTAINED BY OWNER AND ANNUAL CERTIFICATION REQUIRED.
- 4. WATERLINE SHALL NOT BE PUT INTO SERVICE UNTIL THE BACKFLOW PREVENTION ASSEMBLY IS APPROVED BY A CITY OF ISSAQUAH WATER QUALITY INSPECTOR.
- 5. MINIMUM CLEARANCE BETWEEN ASSEMBLY AND WALL IS 24". MAXIMUM HEIGHT SHALL BE 60" FROM FLOOR OR GROUND TO HIGHEST POINT OF DEVICE.
- 6. TEE AND GATE VALVE REQUIRED ON MAIN.

INSTALLATION PROCEDURES AND SPECIFICATIONS FOR REDUCED PRESSURE BACKFLOW ASSEMBLY (ALL SIZES)

THE REDUCED PRESSURE BACKFLOW ASSEMBLY (RPBA) CONSISTS OF TWO INDEPENDENTLY ACTING, INTERNALLY SPRING LOADED CHECK VALVES SEPARATED BY A SPRING LOADED DIFFERENTIAL PRESSURE RELIEF VALVE, TWO RESILIENT SEATED SHUTOFF VALVES, AND FOUR PROPERLY LOCATED, RESILIENT SEATED TEST COCKS. THIS ASSEMBLY IS EFFECTIVE AGAINST BACKFLOW CAUSED BY BACKPRESSURE AND BACKSIPHONAGE, AND IS USED TO PROTECT THE POTABLE WATER SYSTEM FROM SUBSTANCES THAT CONSTITUTE A HIGH HAZARD. THIS ASSEMBLY SHALL BE INSTALLED AS A UNIT FURNISHED BY THE MANUFACTURER IN ACCORDANCE WITH THE UNIFORM PLUMBING CODE, MANUFACTURER'S SPECIFICATIONS, AND THE GUIDELINES LISTED BELOW.

- 1. OBTAIN PLUMBING PERMIT FROM THE CITY OF ISSAQUAH PERMIT CENTER.
- 2. THE RPBA MUST BE A WASHINGTON STATE APPROVED DEVICE.*
- 3. THE RPBA MUST BE INSTALLED ABOVE GROUND LEVEL WHERE THERE IS NO CHANCE OF FLOODING.
- 4. PROVIDE ADEQUATE FREEZE PROTECTION FOR DEVICE.
- 5. PROVIDE ADEQUATE CLEARANCE FOR TESTING AND REPAIRS:
 - A. RPBA MUST BE AT LEAST 12" FROM GROUND TO BOTTOM OF DEVICE, BUT NOT MORE THAN 60" IN HEIGHT FROM GROUND TO HIGHEST POINT OF DEVICE.
 - B. RPBA MUST HAVE AT LEAST 12" CLEARANCE ON ALL SIDES.
 - C. ADEQUATE SPACE MUST BE PROVIDED TO ALLOW IN-LINE REPAIRS TO CHECK VALVES OR RELIEF VALVE.
- 6. PROVIDE ADEQUATE DRAINAGE; DRAIN(S) MUST ALLOW FOR MAXIMUM DISCHARGE FROM RPBA RELIEF VALVE AT FULL MAIN PRESSURE. (SEE MANUFACTURER'S SPECIFICATIONS REGARDING DISCHARGE RATES).
- 7. THERE MUST BE AN APPROVED AIR GAP BETWEEN THE RELIEF PORT AND DRAIN.
- 8. WHENEVER POSSIBLE, DRAIN RPBA DISCHARGE INTO SEWER; DISCHARGE LINE MUST BE TRAPPED TO SEWER.
- 9. INSTALL RPBA IN THE HORIZONTAL POSITION ONLY.
- 10. SIZE THE RPBA HYDRAULICALLY TO AVOID EXCESSIVE PRESSURE LOSS.
- 11. INSTALL PLUGS IN ALL TEST COCKS.
- 12. ASSEMBLIES 2 1/2" AND LARGER MUST HAVE STANCHIONS INSTALLED TO PREVENT FLANGE DAMAGE. (SEE RPBA DETAIL_).
- 13. ASSEMBLIES 2" AND SMALLER MUST HAVE TWO UNIONS, ONE ON EITHER SIDE OF RESILIENT SEATED SHUTOFF VALVES.
- 14. THERE WILL BE NO RPBA INSTALLATIONS IN AREAS WHERE VEHICLE TRAFFIC IS ACCESSIBLE UNLESS PRIOR APPROVAL IS GAINED FROM ISSAQUAH PUBLIC WORKS O&M DEPARTMENT.
- 15. THE USE OF GALVANIZED WATER FITTINGS AND PIPING IS PROHIBITED. USE COPPER, BRASS OR PLASTIC FITTINGS AND/OR PIPING.
- 16. ONCE DEVICE IS INSTALLED.
 - A. HAVE TESTED BY A STATE CERTIFIED BACKFLOW ASSEMBLY TEST OF YOUR CHOOSING.*
 - B. HAVE INSPECTED BY ISSAQUAH PUBLIC WORKS O&M DEPARTMENT.
- 17. ALL RPBA'S (2 1/2" AND LARGER) INSTALLED FOR FIRE PROTECTION MUST HAVE FACTORY INSTALLED BYPASS FEATURE (TYPICAL 3/4") TO INCLUDE AN APPROVED RPBA AND METER. (SEE FIRE SYSTEM RPDA INSTALLATION SPECIFICATIONS).
- 18. THIS DEVICE WILL REQUIRE AN ANNUAL TEST TO ASSURE IT'S PROPER FUNCTION IN PREVENTING WATER BACKFLOW. THE ANNUAL TEST IS TO BE PERFORMED BY A WASHINGTON STATE CERTIFIED BACKFLOW ASSEMBLY TESTER. THE CITY OF ISSAQUAH O&M DEPARTMENT, WATER QUALITY SECTION WILL SEND THE NECESSARY FORM(S) AS THE DEVICE COMES DUE.

* THIS ITEM/INFORMATION MAY BE OBTAINED FROM THE CITY OF ISSAQUAH PERMIT CENTER OR PUBLIC WORKS O&M DEPARTMENT, WATER QUALITY SECTION.

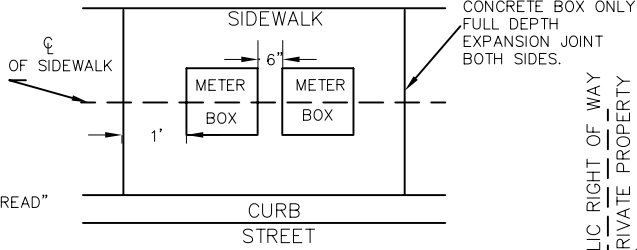
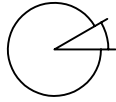
REVISION:

NO SCALE



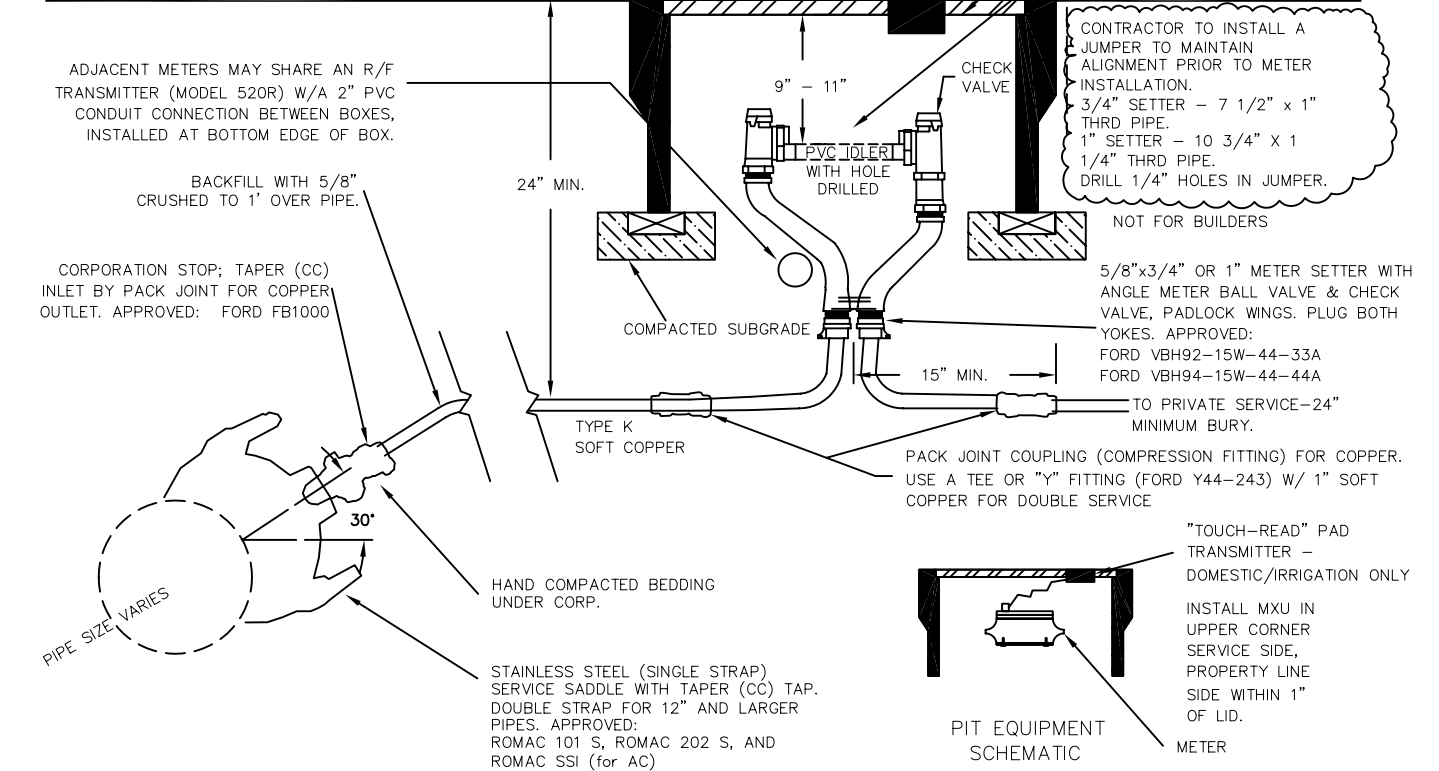
2 1/2" TO 10" REDUCED PRESSURE PRINCIPLE BACKFLOW ASSEMBLY

**STANDARD
DETAIL NO.
W-23**



CONCRETE METER BOX W/ LIDS DRILLED FOR "TOUCH-READ"
 PIT LID ADAPTER (1-3/4" HOLE) APPROVED:
 -3/4" TRAVEL-AREAS-FOGTITE J-20S.
 -3/4" SIDEWALK & 1" METER-FOGTITE B-10T.
 -3/4"NON-TRAVELED AREAS-FOGTITE B-10
 -1" TRAVEL AREAS-FOGTITE 2 STEEL DIPPED.
 TRAVEL = VEHICLE TRAVEL

FILL TO TOP WITH SAWDUST UNCOMPACTED. (WOOD CHIPS/SHAVINGS)
 5/8"x3/4" OR 1" METER. APPROVED: SENSUS SR II-TRPL WITH "TOUCH-READ" AND PIT LID ADAPTER. (NO SUBSTITUTES)



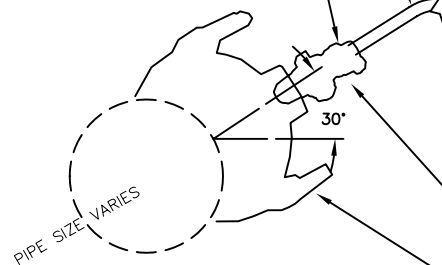
CONTRACTOR TO INSTALL A JUMPER TO MAINTAIN ALIGNMENT PRIOR TO METER INSTALLATION.
 3/4" SETTER - 7 1/2" x 1" THRD PIPE.
 1" SETTER - 10 3/4" x 1 1/4" THRD PIPE.
 DRILL 1/4" HOLES IN JUMPER.

5/8"x3/4" OR 1" METER SETTER WITH ANGLE METER BALL VALVE & CHECK VALVE, PADLOCK WINGS. PLUG BOTH YOKES. APPROVED: FORD VBH92-15W-44-33A FORD VBH94-15W-44-44A

ADJACENT METERS MAY SHARE AN R/F TRANSMITTER (MODEL 520R) W/A 2" PVC CONDUIT CONNECTION BETWEEN BOXES, INSTALLED AT BOTTOM EDGE OF BOX.

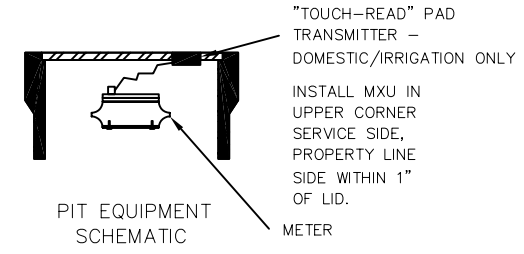
BACKFILL WITH 5/8" CRUSHED TO 1' OVER PIPE.

CORPORATION STOP; TAPER (CC) INLET BY PACK JOINT FOR COPPER OUTLET. APPROVED: FORD FB1000

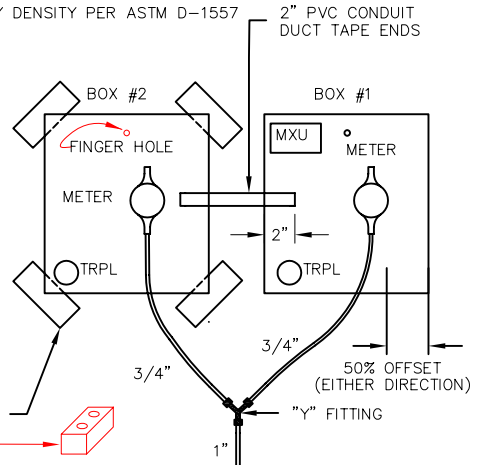


HAND COMPACTED BEDDING UNDER CORP.

STAINLESS STEEL (SINGLE STRAP) SERVICE SADDLE WITH TAPER (CC) TAP. DOUBLE STRAP FOR 12" AND LARGER PIPES. APPROVED: ROMAC 101 S, ROMAC 202 S, AND ROMAC SSI (for AC)



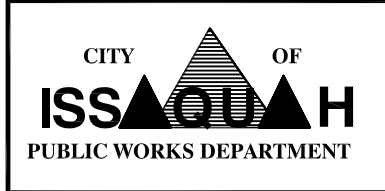
- SERVICE LINE MUST BE INSTALLED PERPENDICULAR TO THE WATER MAIN. COMPACT TRENCH TO 95% MAX. DRY DENSITY PER ASTM D-1557
- SERVICE SADDLES ARE REQUIRED ON ALL PIPE EXCEPT, CLASS 52 OR THICKER DUCTILE IRON. THE CORP. STOP MAY BE TAPPED DIRECTLY INTO CLASS 52 OR THICKER DUCTILE IRON PIPE FOR 3/4" AND 1" TAPS.
- DOH APPROVED BACK FLOW PREVENTION DEVICES MUST BE INSTALLED ON ALL IRRIGATION AND FIRE SERVICES AND SHALL BE TESTED AND APPROVED BY THE CITY PRIOR TO SERVICE ACTIVATION.
- OFFSET METER BOX TO LEFT OR RIGHT 50%. SET AT GRADE AND LEVEL WITH GRADE - PROVIDE POSITIVE DRAINAGE AWAY FROM BOX.
- ALL METERS SHALL BE CONNECTED TO A METER TRANSMITTER UNIT (MXU).
- INSTALL DOUBLE SERVICES WITH SINGLE 2-PORT MXU (model 520R) RADIO-READ WHERE POSSIBLE.
- ON DOUBLE SERVICES PLACE THE MXU IN THE METER BOX WITH THE METER WIRED TO PORT NUMBER 1.
- DOUBLE SET SERVICES MUST BE NO MORE THAN 2 FEET APART - 6" IN SIDEWALKS.**
- SINGLE SET SERVICE MUST BE A MINIMUM OF 20' APART.
- THE CITY SHALL MAKE ALL ELECTRICAL CONNECTIONS.
- SERVICES SHALL BE INSTALLED BY THE CITY ON CITY OWNED MAINS.
- METERS SHALL BE SET AT PROPERTY LINES OR IN SIDEWALK.
- AVOID VEHICLE TRAVEL AREAS.
- SERVICES SHALL NOT BE TAPPED OFF HYDRANT OR FIRE SPRINKLER SYSTEM BRANCHES.



2"x4" BRICK TYPICAL ALL BOXES NO HOLES IN BRICKS

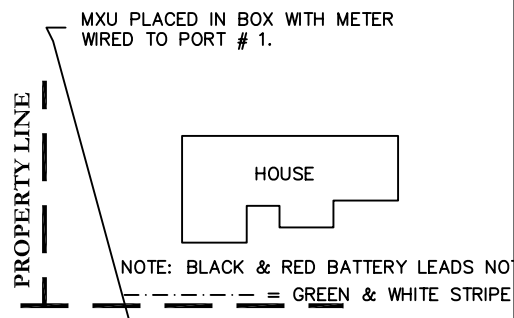
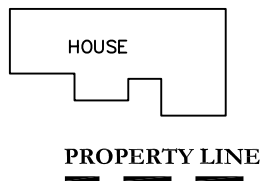
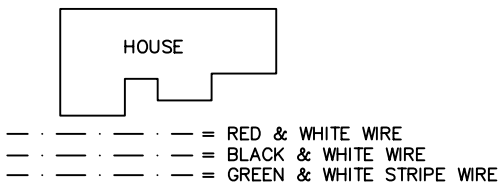
REVISION:

NO SCALE

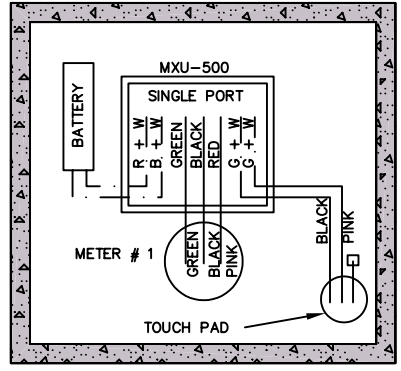


3/4" AND 1" WATER SERVICE FOR DOMESTIC, IRRIGATION & FIRE

STANDARD DETAIL NO. W-25A

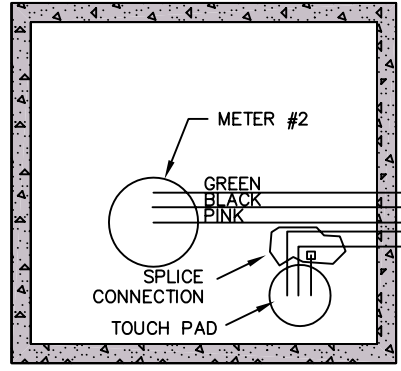


PROPERTY LINE



NOTE: ALL CONNECTIONS TO BE PUT INSIDE MXU.

METER INSTALLATION FOR SINGLE PORT MXU

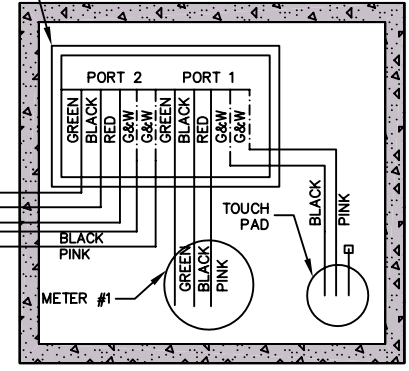


BOX #2

2' MAX

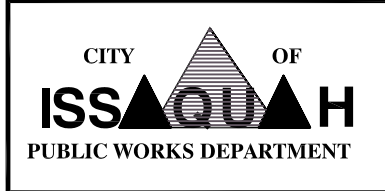
BOX #1

CONNECTION SCHEMATIC DOUBLE MXU (505 SERIES)



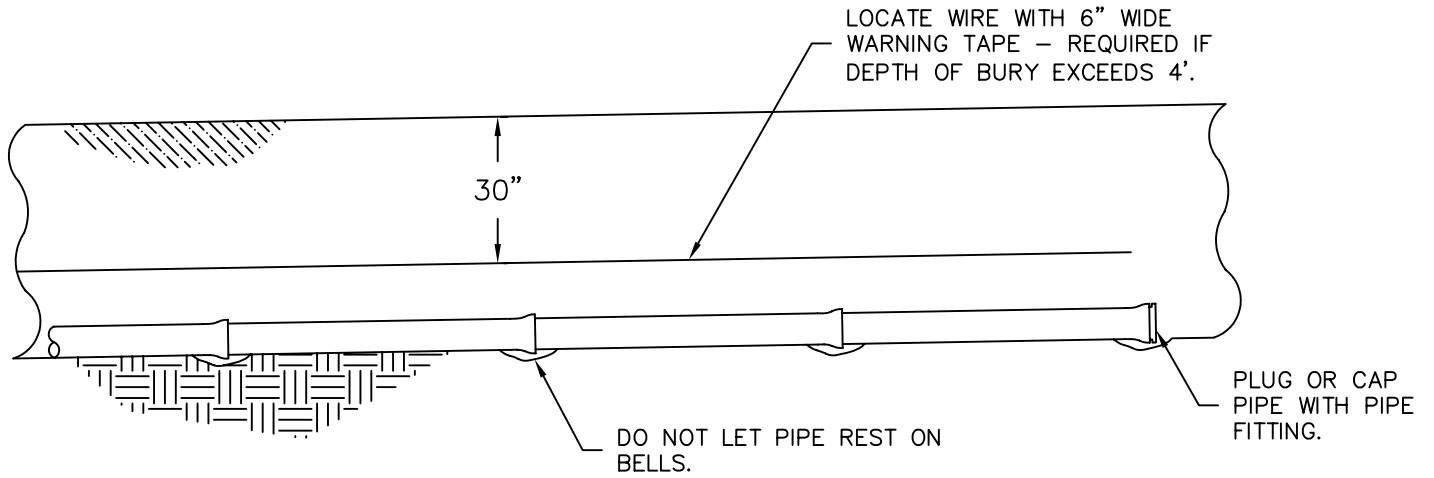
REVISION:

NO SCALE



3/4" AND 1" WATER SERVICE "RADIO-READ" WIRING DETAILS

STANDARD DETAIL NO. W-25B



1. LAY PIPE WITH BELLS UPGRADE.
2. PREPARE TRENCH BOTTOM SO PIPE IS SUPPORTED FULL LENGTH.
3. PLUG OR CAP PIPE WHENEVER NOT ACTIVELY WORKING ON PIPE SECTION. USE MJ OR TYTON JOINT PLUG OR CAP. BOARDS, BUCKETS, ETC. ARE NOT ALLOWED.
4. EXTREME CARE SHALL BE TAKEN INSTALLING POLY ENCASUREMENT TO PREVENT TEARS AND TO ENSURE PROPER SEAL.
5. PIPE THAT IS ROLLED OFF A TRUCK OR TRAILER OR IS DROPPED OR OTHERWISE MISHANDLED WILL BE REJECTED.
6. CUT ENDS SHALL BE BEVELED PER MANUFACTURER SPECS PRIOR TO ASSEMBLY.
7. GASKETS SHALL BE LUBRICATED WITH APPROVED GASKET LUBRICANT.
8. VALVES ON LIVE MAINS SHALL ONLY BE OPERATED BY CITY PERSONNEL.
9. NEW MAINS SHALL BE ISOLATED FROM LIVE MAINS WITH A DCVA UNTIL SATISFACTORY BACTERIOLOGICAL TESTS ARE OBTAINED.
10. NEW MAINS SHALL BE FLUSHED AT A MINIMUM VELOCITY OF 5 FPS. CONTRACTOR SHALL PAY \$5.00 PER ROCK LARGER THAN 1/4" DISCHARGED FROM MAIN.
11. DISINFECTING SHALL BE ACCOMPLISHED BY PUMPING A CHLORINE SOLUTION INTO THE MAIN UNTIL 50 PPM IS ACHIEVED IN ALL SECTIONS OF THE PIPE. THIS CONCENTRATION SHALL REMAIN IN THE PIPE FOR 24 HOURS. CHLORINATED WATER SHALL NOT BE DISCHARGED TO STORM WATER SYSTEM OR SURFACE WATERS.
12. SHORT SECTIONS OF PIPE MAY BE SWABBED WITH A 500 PPM CHLORINE SOLUTION INSTEAD OF THE ABOVE. CARE SHALL BE TAKEN NOT TO GET CHLORINE ON THE OUTSIDE OF THE PIPE OR FITTINGS.
13. TRENCH WATER OR DEBRIS SHALL NOT BE ALLOWED TO ENTER THE PIPE.
14. A TORQUE WRENCH SHALL BE USED TO PROPERLY TORQUE BOLTS AND NUTS.
15. ISSAQUAH'S WATER SYSTEM IS NOT CHLORINATED. EXTREME CARE SHALL BE TAKEN TO AVOID CONTAMINATION.
16. TRAFFIC CONTROL PER THE MANUAL ON UNIFORM TRAFFIC CONTROL DEVICES (MUTCD) SHALL BE MAINTAINED AT ALL TIMES.
17. RESTRAINED JOINTS SHALL BE FULLY EXTENDED WHEN SPECIFIED BY THE ENGINEER.
18. JOINT ASSEMBLY SHALL ALLOWED FOR THERMAL EXPANSION AND CONTRACTION WITHOUT BINDING THE PIPE.

PIPE LAYING OPERATIONS VIOLATING ANY SECTION OF THIS DETAIL SHALL BE IMMEDIATELY SUSPENDED UNTIL THE CITY HAS BEEN SATISFIED OF THE CONTRACTOR'S ABILITY TO MEET THESE REQUIREMENTS.
NOTE:

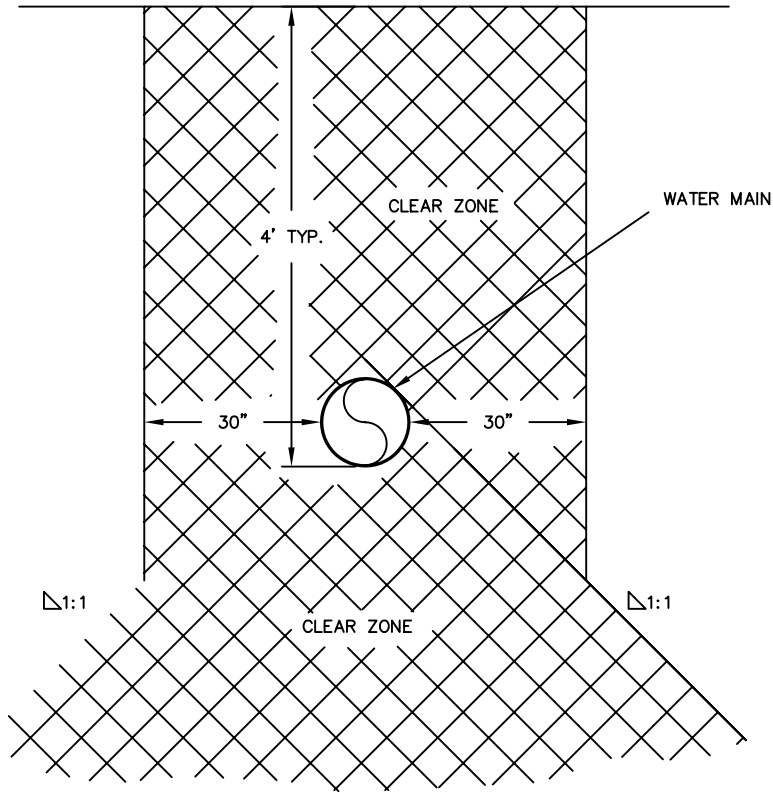
REVISION:

NO SCALE



PIPE LAYING DETIAL

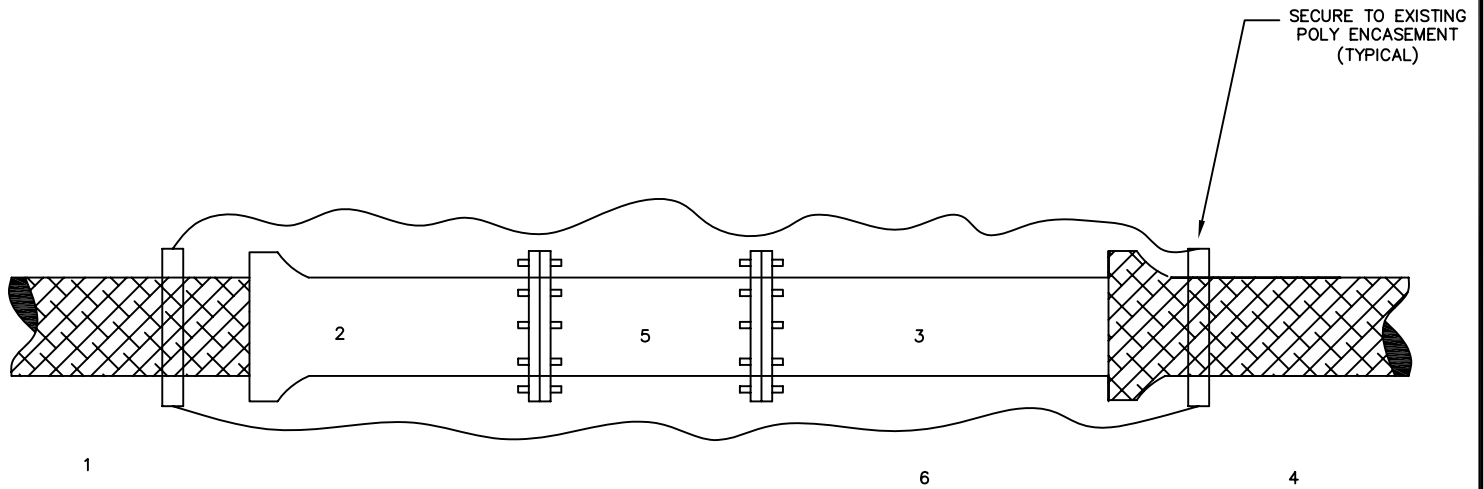
STANDARD
DETAIL NO.
W-27



NO PIPES OR UTILITIES SHALL BE INSTALLED IN THE WATER MAIN CLEAR ZONE.

REVISION:

NO SCALE



MATERIALS LIST

1)	EXISTING PIPE, RJ – SPIGOT END
2)	RJ – BELL x FLG (MANUFACTURED TO FIT)
3)	FLG X RJ – PE (MANUFACTURED TO FIT)
4)	EXISTING PIPE, RJ – BELL END
5)	FLG X FLG SPOOL 4'
6)	POLYETHELENE ENCASEMENT

REVISION:

NO SCALE

CONCRETE METER BOX W/ LIDS DRILLED FOR "TOUCH-READ"
 PIT LID ADAPTER (1-3/4" HOLE) APPROVED:
 -3/4" TRAVEL-AREAS-FOGTITE J-20S.
 -3/4" SIDEWALK & 1" METER-FOGTITE B-10T.
 -3/4"NON-TRAVELED AREAS-FOGTITE 1-D

CONTRACTOR TO INSTALL A JUMPER
 TO MAINTAIN ALIGNMENT.
 3/4" SETTER - 7 1/2" x 1" THRD
 BRASS PIPE.

SAMPLING STATION
 KUPFERLE ECLIPSE NO. 88
 WITH ALUMINUM ENCLOSURE

CITY STANDARD
 W 25A

INSTALL 3' x 3' x 4"
 CONCRETE PAD

BACKFILL WITH 5/8"
 CRUSHED TO 1' OVER
 PIPE.

CORPORATION STOP; TAPER
 (CC) INLET BY PACK JOINT
 FOR COPPER OUTLET.
 APPROVED: FORD FB1000

TYPE K
 SOFT
 COPPER

PACK
 JOINT
 COUPLINGS

WRAP RISER PIPE IN
 POLYETELENE SHEETING
 PRIOR TO INSTALLING
 CONCRETE PAD

3/4" 90 ELBOW

PIPE SIZE VARIES

HAND COMPACTED BEDDING
 UNDER CORP.
 STAINLESS STEEL (SINGLE STRAP)
 SERVICE SADDLE WITH TAPER (CC) TAP.
 DOUBLE STRAP FOR 12" AND LARGER
 PIPES. APPROVED:
 ROMAC 101 S, ROMAC 202 S, AND
 ROMAC SSI (for AC)

1. SERVICE LINE MUST BE INSTALLED PERPENDICULAR TO THE WATER MAIN. COMPACT TRENCH TO 95% MAX. DRY DENSITY PER ASTM D-1557
2. SERVICE SADDLES ARE REQUIRED ON ALL PIPE EXCEPT, CLASS 52 OR THICKER DUCTILE IRON. THE CORP. STOP MAY BE TAPPED DIRECTLY INTO CLASS 52 OR THICKER DUCTILE IRON PIPE FOR 3/4" AND 1" TAPS.
3. SET AT GRADE AND LEVEL WITH GRADE - PROVIDE POSITIVE DRAINAGE AWAY FROM BOX.
4. SERVICES SHALL BE INSTALLED BY THE CITY ON CITY OWNED MAINS.
5. METER BOX SHALL BE SET AT PROPERTY LINES OR IN SIDEWALK.
6. AVOID VEHICLE TRAVEL AREAS.
7. SERVICES SHALL NOT BE TAPPED OFF HYDRANT OR FIRE SPRINKLER SYSTEM BRANCHES.
8. SUPPLY BEST LOCK WITH IP-1 CORE.

REVISION:

NO SCALE



SAMPLING STATION

STANDARD
 DETAIL NO.
 W-30

This page is intentionally left blank.